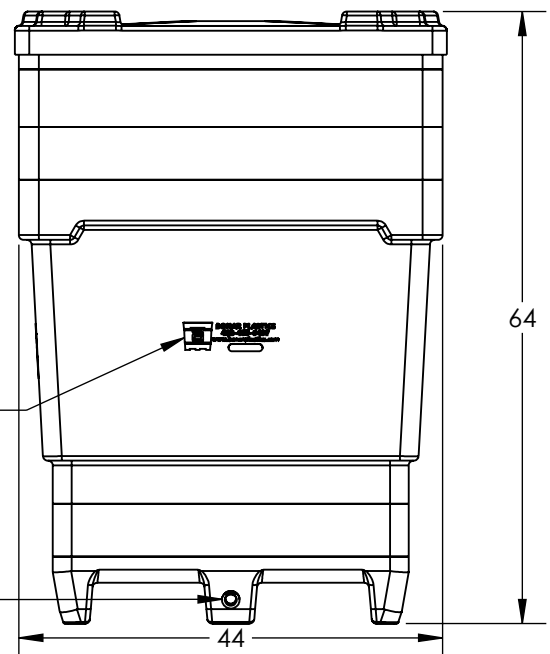


OPTIONAL LID SHOWN
(1017100M)

MOLDED-IN
MONSTER COMBO
LOGO [1 LONG SIDE]

CUSTOMIZABLE LOGO PLATE
[SHORT SIDE]

OPTIONAL DRAIN SHOWN
(34500102)




4.2
TYP.

11.6
TYP.

28.6 TYP.

ALL DIMENSIONS ARE IN INCHES, NOMINAL, & SUBJECT TO CHANGE WITHOUT NOTICE.
ALL DIMENSIONS ON ROTATIONAL MOLDED PARTS ARE SUBJECT TO A ± 3% TOLERANCE.

DO NOT SCALE		DRAWN BY	TITLE:	REVISION
STATUS:	Released	KB	BIN 2762 MONSTER CMBO 4WY WD WLID	B
© TANK HOLDING, CORP, 2023		 A BRAND OF TANK HOLDING CORP. 1005 Atlantic Drive West Chicago, IL 60185 (630)293-0303 www.bonarplastics.com	PART NO.	SHEET
			1023600M	1 OF 1
			ENG. ID.	D002848