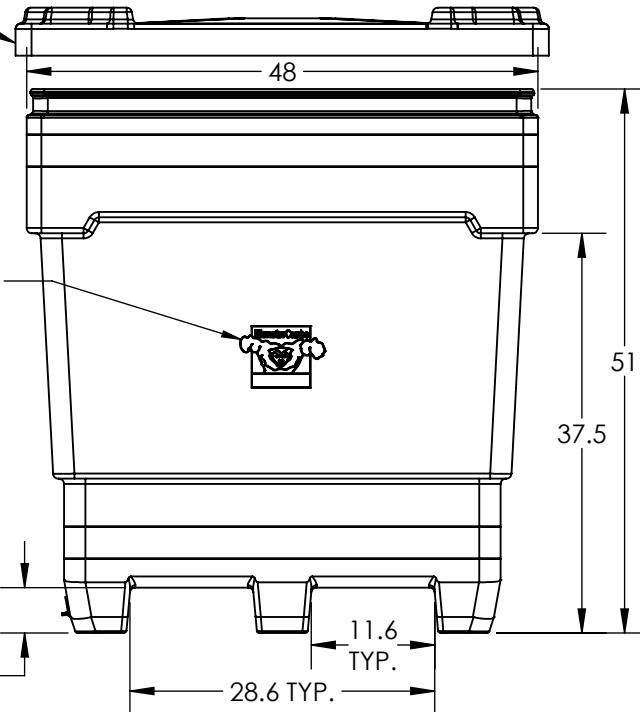
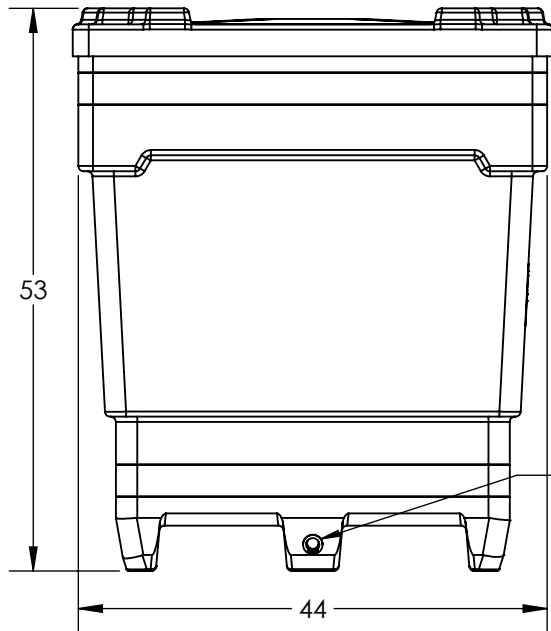


OPTIONAL LID SHOWN
(1017100M)



MOLDED-IN
MONSTER COMBO
LOGO [1 LONG SIDE]

OPTIONAL DRAIN SHOWN
(34500102)

ALL DIMENSIONS ARE IN INCHES, NOMINAL, & SUBJECT TO CHANGE WITHOUT NOTICE.
ALL DIMENSIONS ON ROTATIONAL MOLDED PARTS ARE SUBJECT TO A ± 3% TOLERANCE.

| | | | | | |
|--|----------|--|-----------------------|--|----------------|
| DO NOT SCALE | | DRAWN BY | BONAR PLASTICS | TITLE: | REVISION |
| STATUS: | Released | KB | www.bonarplastics.com | BIN 2751 MONSTER CMBO 4WY WD WLID | B |
| © SNYDER INDUSTRIES INC., 2017 | | 1005 Atlantic Drive West Chicago, IL 60185 (630)293-0303 | | PART NO. | SHEET |
| ALL DIMENSIONS, DESIGNS, AND INFORMATION ON THIS PRINT MUST BE CONSIDERED PROPRIETARY TO SNYDER INDUSTRIES, INC. AND MAY NOT BE USED, COPIED, OR DISTRIBUTED WITHOUT WRITTEN PERMISSION OF AN OFFICER (OR HIS AGENT) OF THE FIRM. | | www.bonarplastics.com | | 1015000M | 1 OF 1 |
| | | | | ENG. ID. | D002845 |