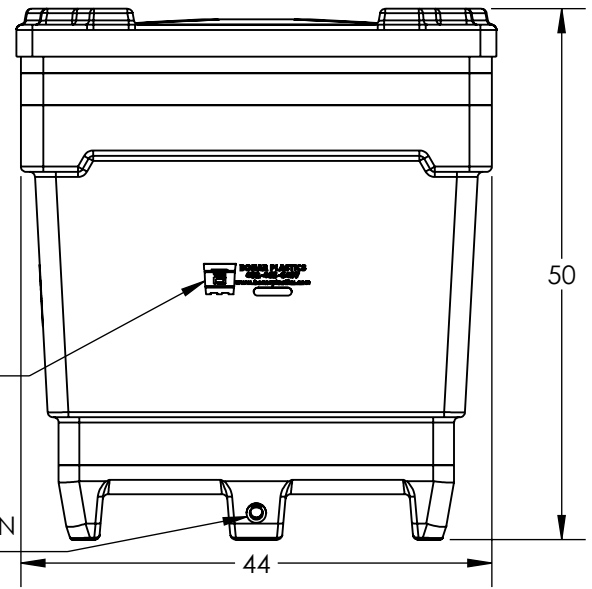


OPTIONAL LID SHOWN  
(1017100M)

MOLDED-IN  
MONSTER COMBO  
LOGO [1 LONG SIDE]

CUSTOMIZABLE LOGO PLATE  
[SHORT SIZE]

OPTIONAL DRAIN SHOWN  
(34500102)



ALL DIMENSIONS ARE IN INCHES, NOMINAL, & SUBJECT TO CHANGE WITHOUT NOTICE.  
ALL DIMENSIONS ON ROTATIONAL MOLDED PARTS ARE SUBJECT TO A ± 3% TOLERANCE.

DO NOT SCALE		DRAWN BY	TITLE	REVISION
STATUS:	<b>Released</b>	KB	<b>BIN 2748 MONSTER CMBO 4WY WD WLID</b>	<b>B</b>
© TANK HOLDING, CORP, 2023		 A BRAND OF TANK HOLDING CORP. 1005 Atlantic Drive West Chicago, IL 60185 (630)293-0303 <a href="http://www.bonarplastics.com">www.bonarplastics.com</a>	PART NO.	SHEET
ALL DIMENSIONS, DESIGNS, AND INFORMATION ON THIS PRINT MUST BE CONSIDERED PROPRIETARY TO TANK HOLDING, CORP. AND MAY NOT BE USED, COPIED, OR DISTRIBUTED WITHOUT WRITTEN PERMISSION OF AN OFFICER (OR HIS AGENT) OF THE FIRM.			1014900M	1 OF 1
			ENG. ID.	D002844