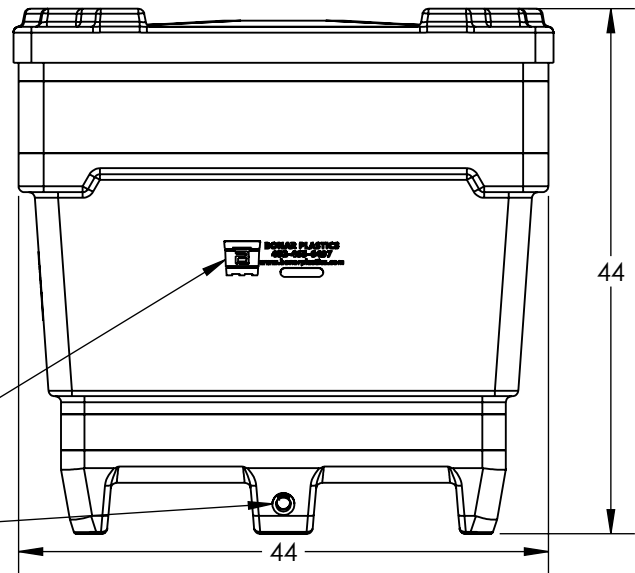


OPTIONAL LID SHOWN
(1017100M)


MOLDED-IN
MONSTER COMBO
LOGO [1 LONG SIDE]

CUSTOMIZABLE LOGO PLATE
[SHORT SIDE]

OPTIONAL DRAIN SHOWN
(34500102)



ALL DIMENSIONS ARE IN INCHES, NOMINAL, & SUBJECT TO CHANGE WITHOUT NOTICE.
ALL DIMENSIONS ON ROTATIONAL MOLDED PARTS ARE SUBJECT TO A ± 3% TOLERANCE.

DO NOT SCALE		DRAWN BY	 A BRAND OF TANK HOLDING CORP. 1005 Atlantic Drive West Chicago, IL 60185 (630)293-0303 www.bonarplastics.com	TITLE:	BIN 2742 MONSTER CMBO 4WY WD WLID	REVISION
STATUS:	Released	KB				B
© TANK HOLDING, CORP, 2023				PART NO.	1014700M	SHEET
<small>ALL DIMENSIONS, DESIGNS, AND INFORMATION ON THIS PRINT MUST BE CONSIDERED PROPRIETARY TO TANK HOLDING, CORP. AND MAY NOT BE USED, COPIED, OR DISTRIBUTED WITHOUT WRITTEN PERMISSION OF AN OFFICER (OR HIS AGENT) OF THE FIRM.</small>				ENG. ID.	D002841	1 OF 1