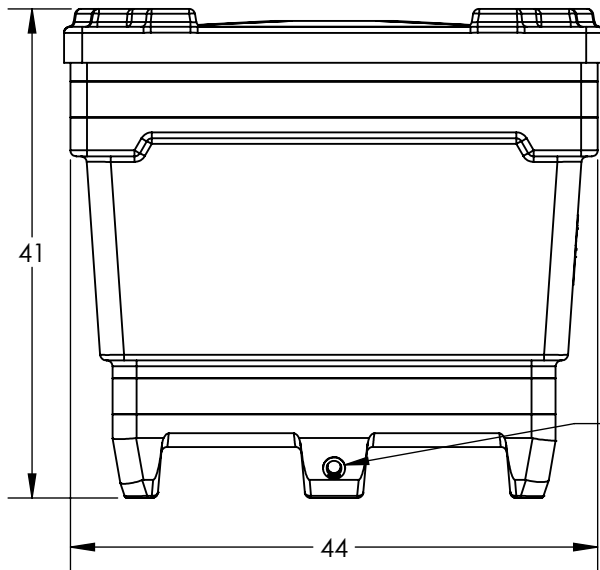
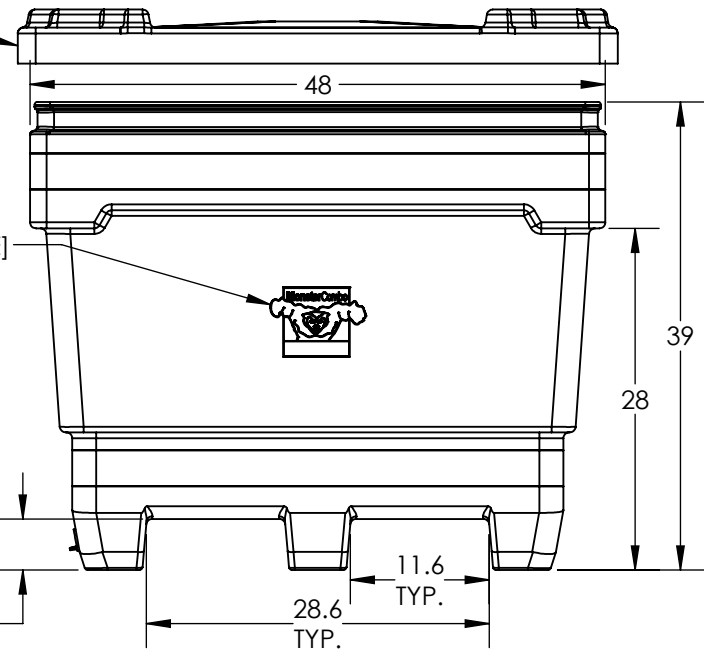


OPTIONAL LID SHOWN
(1017100M)



OPTIONAL DRAIN SHOWN
(34500102)



MOLDED-IN
MONSTER COMBO
LOGO [1 LONG SIDE]

ALL DIMENSIONS ARE IN INCHES, NOMINAL, & SUBJECT TO CHANGE WITHOUT NOTICE.
ALL DIMENSIONS ON ROTATIONAL MOLDED PARTS ARE SUBJECT TO A \pm 3% TOLERANCE.

DO NOT SCALE		DRAWN BY	BONAR PLASTICS WWW.BONARPLASTICS.COM		REVISION
STATUS:	Released	KB	1005 Atlantic Drive West Chicago, IL 60185 (630)293-0303		B
© SNYDER INDUSTRIES INC., 2017			www.bonarplastics.com		SHEET 1 OF 1
ALL DIMENSIONS, DESIGNS, AND INFORMATION ON THIS PRINT MUST BE CONSIDERED PROPRIETARY TO SNYDER INDUSTRIES, INC. AND MAY NOT BE USED, COPIED, OR DISTRIBUTED WITHOUT WRITTEN PERMISSION OF AN OFFICER (OR HIS AGENT) OF THE FIRM.			PART NO. 1014600M		ENG. ID. D002840
TITLE: 2739 MONSTER CMBO 4WY WD WLID					