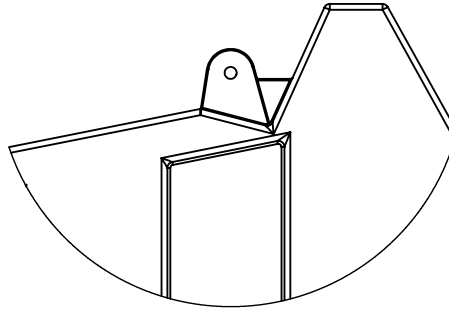
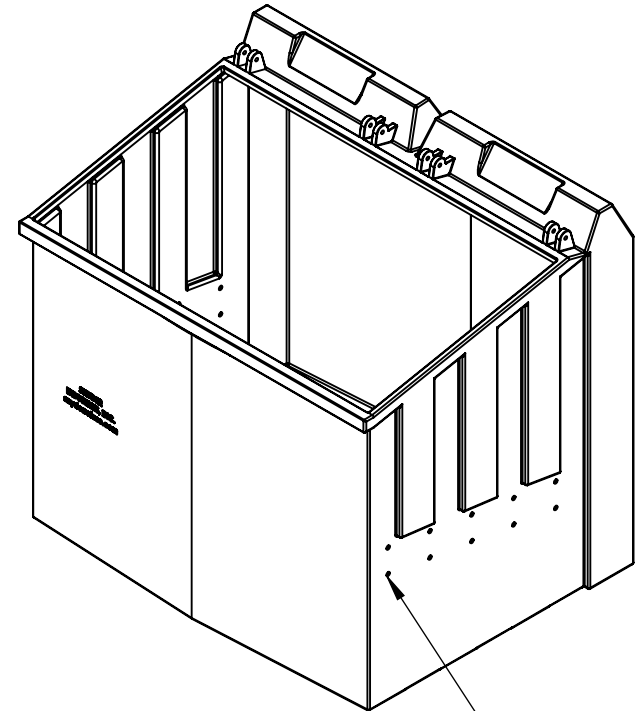
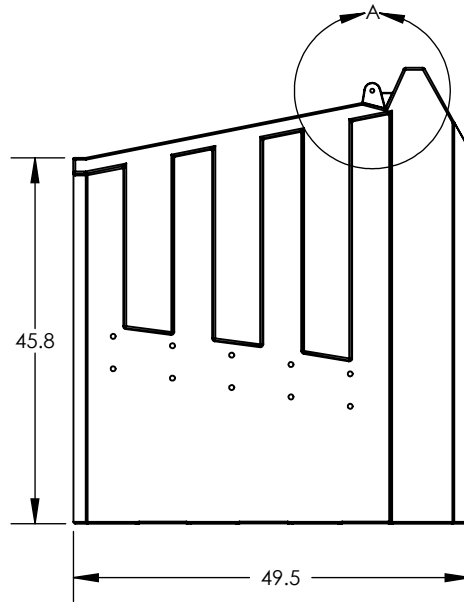
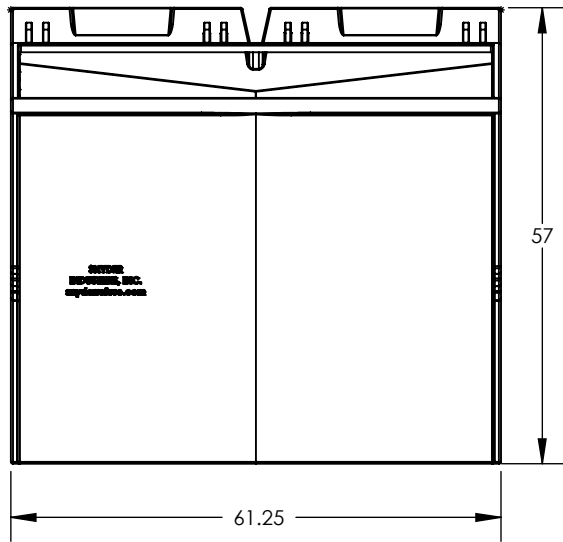


MATERIAL	HDPE
BIN WEIGHT (LBS.)	150
WEIGHT CAPACITY (LBS.)	1000
VOLUME (CUBIC FEET)	3
VOLUME (GALLONS)	600
NOMINAL THICKNESS (IN)	0.260
SHIPPING TRUCKLOAD QUANTITY	30
PREDRILLED HOLES	20



DETAIL A  
SCALE 1 : 8



PREDRILLED HOLES FOR  
INSTALLATION OF DUMPSTER ARMS

ALL DIMENSIONS ARE IN INCHES, NOMINAL, & SUBJECT TO CHANGE WITHOUT NOTICE.  
ALL DIMENSIONS ON ROTATIONAL MOLDED PARTS ARE SUBJECT TO A ± 3% TOLERANCE.

DO NOT SCALE		DRAWN BY		TITLE:	<b>DUMPSTER 3YD POLY</b>	REVISION
STATUS:	<b>Released</b>	TS		ENG. ID.		
© SNYDER INDUSTRIES INC., 2015			(402) 467-5221 www.snydernet.com	PART NO.	<b>7800000E</b>	<b>B</b>
<small>ALL DIMENSIONS, DESIGNS, AND INFORMATION ON THIS PRINT MUST BE CONSIDERED PROPRIETARY TO SNYDER INDUSTRIES, INC. AND MAY NOT BE USED, COPIED, OR DISTRIBUTED WITHOUT WRITTEN PERMISSION OF AN OFFICER (OR HIS AGENT) OF THE FIRM.</small>				ENG. ID.	<b>D002781</b>	SHEET 1 OF 1