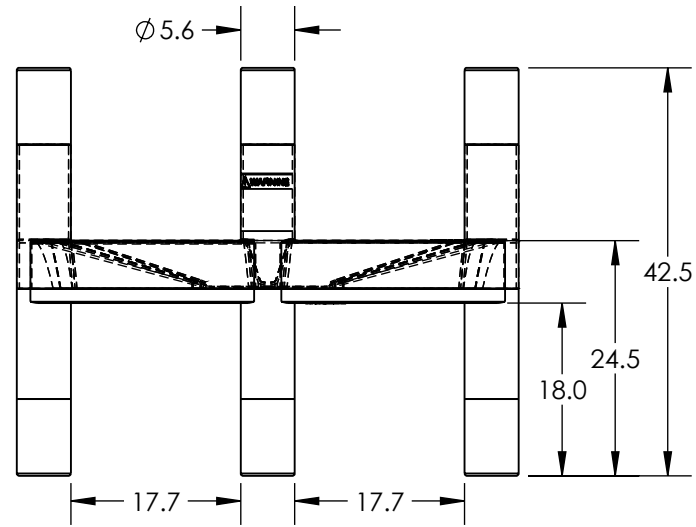
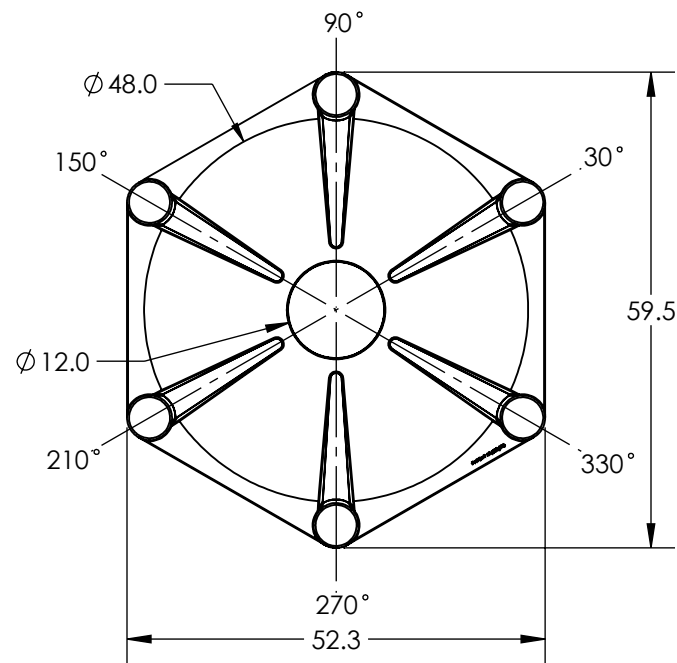
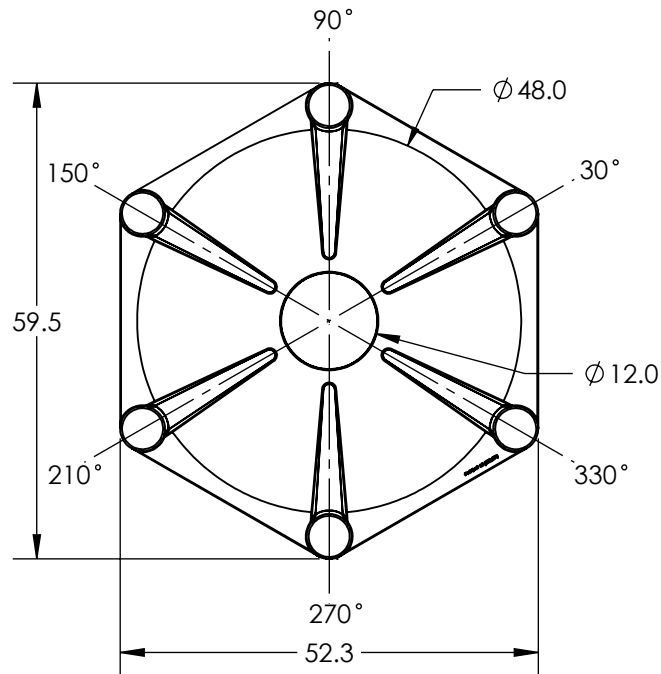


**12" LEG VERSION  
P/N: 1760000N**




**18" LEG VERSION  
P/N: 1760001N**



**\*ALL EXTERNAL PIPING MUST BE INDEPENDENTLY SUPPORTED.**  
**\*ONLY BASE FITTINGS TO BE LEFT INSTALLED AT TIME OF SHIPMENT PER SII PROCEDURE.**  
**\*TANKS ORDERED WITH FOAM INSULATION WILL HAVE AN INCREASED DIAMETER OF 4-6 INCHES.**  
**\*Consult Snyder's Guidelines for Use and Installation prior to delivery.**  
 Available on-line at <http://www.snyderindustriestanks.com/Technical>

**ALL DIMENSIONS ARE IN INCHES, NOMINAL, & SUBJECT TO CHANGE WITHOUT NOTICE.**  
**ALL DIMENSIONS ON ROTATIONAL MOLDED PARTS ARE SUBJECT TO A ± 3% TOLERANCE.**

DO NOT SCALE		DRAWN BY	 <b>SNYDER INDUSTRIES</b> A BRAND OF TANK HOLDING CORP.	TITLE:	<b>ASM STAND FLAT/CONE 48 DIA.</b>	REVISION
STATUS:	<b>Released</b>	ETS		PART NO.		ENG. ID.
© TANK HOLDING, CORP, 2023			(402) 467-5221 <a href="http://www.snyder.net">www.snyder.net</a>			SHEET 1 OF 1
<small>ALL DIMENSIONS, DESIGNS, AND INFORMATION ON THIS PRINT MUST BE CONSIDERED PROPRIETARY TO TANK HOLDING, CORP. AND MAY NOT BE USED, COPIED, OR DISTRIBUTED WITHOUT WRITTEN PERMISSION OF AN OFFICER (OR HIS AGENT) OF THE FIRM.</small>					<b>D002334</b>	