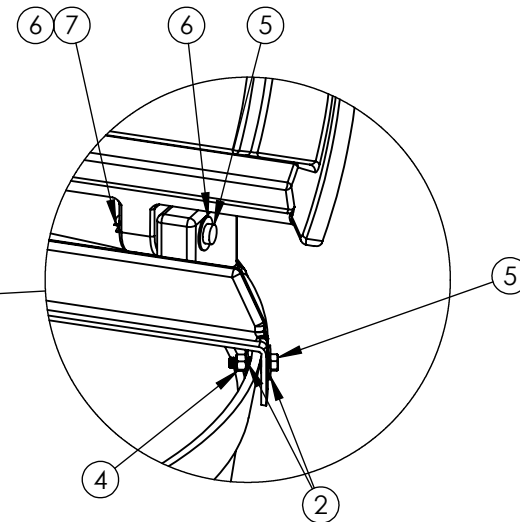
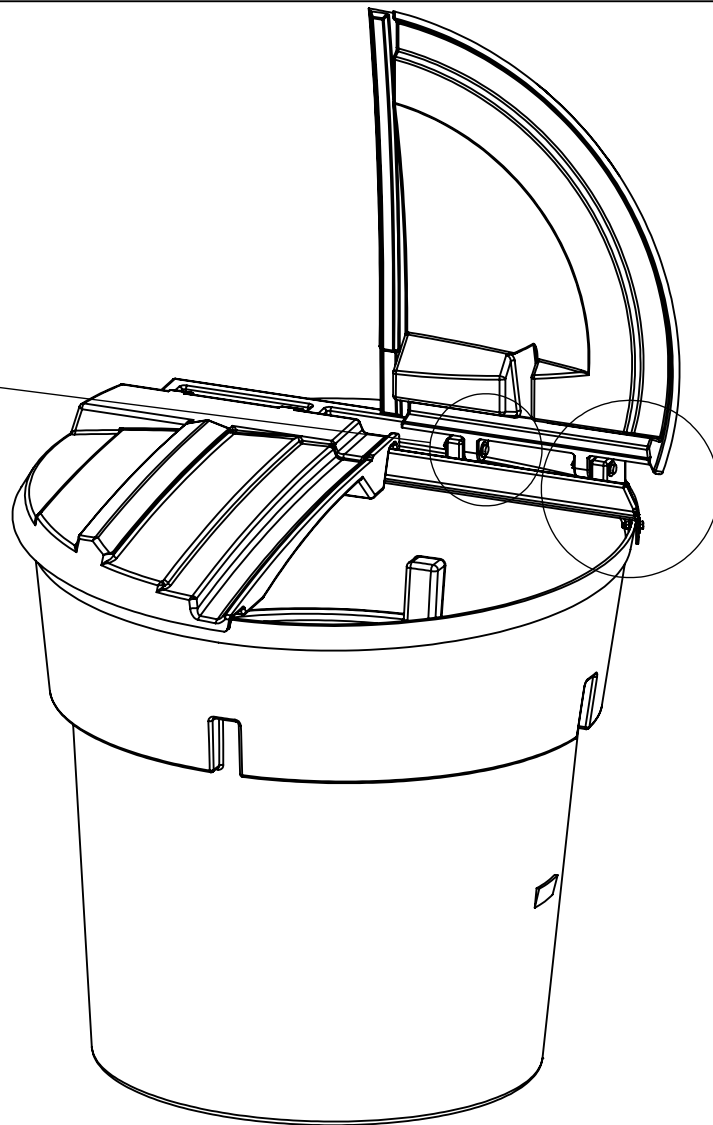
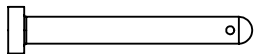


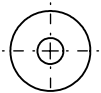
DETAIL B



DETAIL A



35500116 - ITEM 1



35100086 - ITEM 2



35500137 - ITEM 3



35100661 - ITEM 4



35000293 - ITEM 5

PART NUMBER 34701997 INCLUDES HARWARE ONLY.  
CAN AND LID PARTS SOLD SEPARATELY.

**\*ALL COMPONENTS ARE SHIPPED LOOSE AND TO BE INSTALLED BY THE END USER.**

**ALL DIMENSIONS ARE IN INCHES, NOMINAL, & SUBJECT TO CHANGE WITHOUT NOTICE.  
ALL DIMENSIONS ON ROTATIONAL MOLDED PARTS ARE SUBJECT TO A ± 3% TOLERANCE.**

5	4	35000293	BOLT 3/8-16 X 1-1/2IN HH ZP
4	4	35100661	NUT 3/8-16 HEX NYLON LOCK ZP
3	4	35500137	COTTER PIN 3/32 X 1-1/2IN ZP
2	16	35100086	WASHER FENDER 3/8IN ZP
1	4	35500116	PIN BLACK 8301B
ITEM NO.	QTY.	PART NUMBER	DESCRIPTION

DO NOT SCALE		DRAWN BY		TITLE:	<b>HARDWARE KIT LID 200/300/450G ZINC</b>	REVISION
STATUS: <b>Released</b>		TS		<b>C</b>		
© SNYDER INDUSTRIES, INC., 2018				PART NO.	<b>34701997</b>	SHEET
<small>ALL DIMENSIONS, DESIGNS, AND INFORMATION ON THIS PRINT MUST BE CONSIDERED PROPRIETARY TO SNYDER INDUSTRIES, INC. AND MAY NOT BE USED, COPIED, OR DISTRIBUTED WITHOUT WRITTEN PERMISSION OF AN OFFICER (OR HIS AGENT) OF THE FIRM.</small>				<small>(402) 467-5221 www.snydernet.com</small>		<b>1 OF 1</b>
				ENG. ID.	<b>D002327</b>	