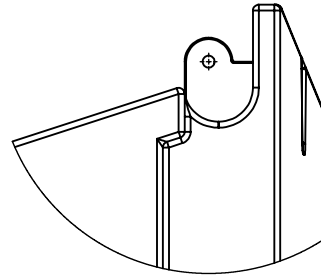
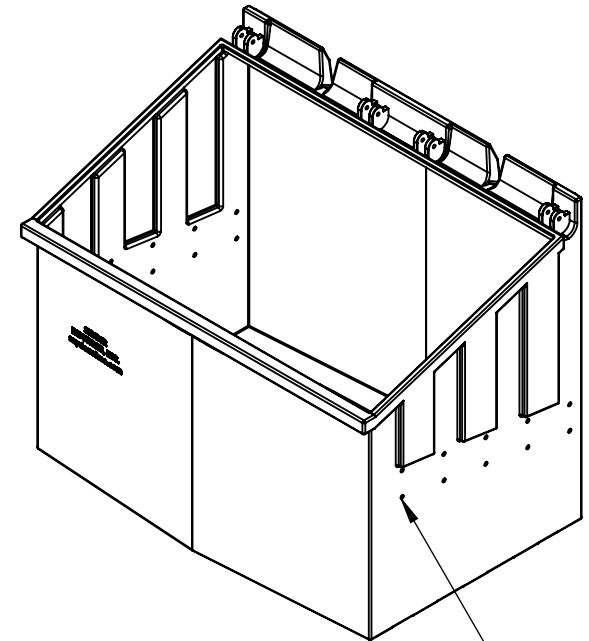
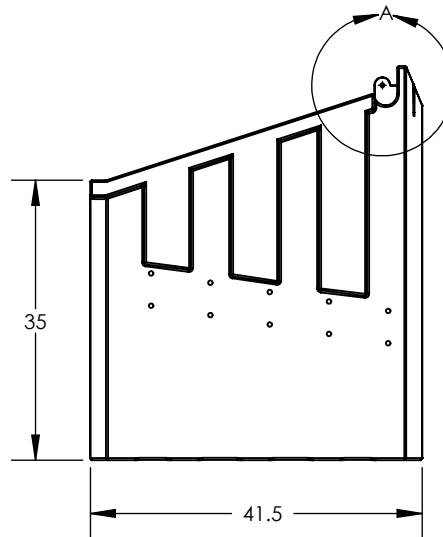
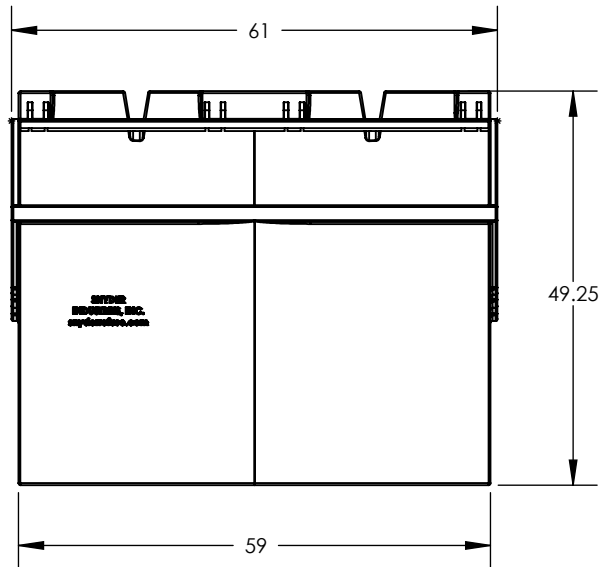


| | |
|-----------------------------|-------|
| MATERIAL | HDPE |
| BIN WEIGHT (LBS.) | 110 |
| WEIGHT CAPACITY (LBS.) | 1000 |
| VOLUME (CUBIC FEET) | 2 |
| VOLUME (GALLONS) | 400 |
| NOMINAL THICKNESS (IN) | 0.250 |
| SHIPPING TRUCKLOAD QUANTITY | 40 |
| PREDRILLED HOLES | 20 |



DETAIL A
SCALE 1 : 8



PREDRILLED HOLES FOR
INSTALLATION OF DUMPSTER ARMS

ALL DIMENSIONS ARE IN INCHES, NOMINAL, & SUBJECT TO CHANGE WITHOUT NOTICE.
ALL DIMENSIONS ON ROTATIONAL MOLDED PARTS ARE SUBJECT TO A ± 3% TOLERANCE.

| | | | | | |
|--------------------------------|----------|------------|---|--------------------------|----------|
| DO NOT SCALE | DRAWN BY | DATE |  SNYDER INDUSTRIES, INC. | TITLE: | REVISION |
| STATUS: Released | TS | 06/11/2014 | | DUMPSTER 2YD POLY | B |
| © SNYDER INDUSTRIES INC., 2014 | | | 4700 Fremont Street Lincoln, NE 68504 (402) 467-5221 www.snyder.net.com | PART NO. | SHEET |
| | | | | 7800100E | 1 OF 1 |
| | | | | ENG. ID. | |
| | | | | D002186 | |