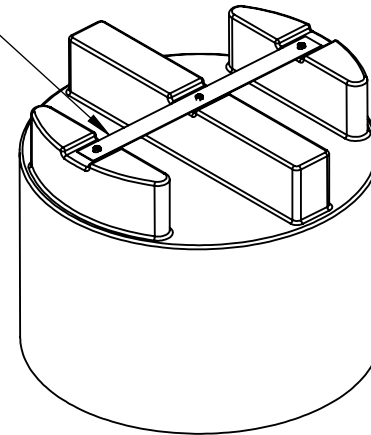
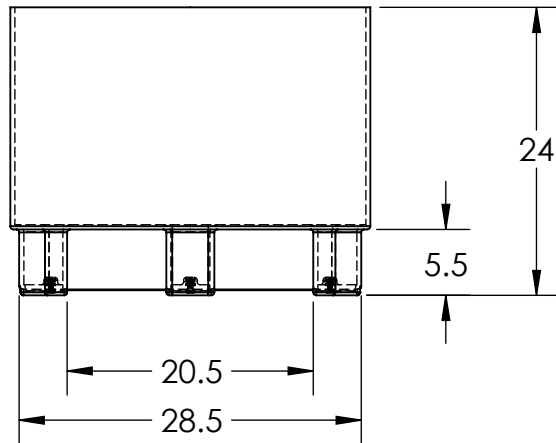


GALVANIZED STEEL STIFFENER BAR BOLTED TO BOTTOM OF PART IN THREE PLACES



ALL DIMENSIONS ARE IN INCHES, NOMINAL, & SUBJECT TO CHANGE WITHOUT NOTICE.  
ALL DIMENSIONS ON ROTATIONAL MOLDED PARTS ARE SUBJECT TO A  $\pm$  3% TOLERANCE.

DO NOT SCALE		DRAWN BY	DATE	 www.bonarplastics.com	TITLE:	REVISION
STATUS:	<b>Released</b>	TS	04/23/2014		<b>SPILLTAINER 1-55G DRUM</b>	<b>A</b>
© SNYDER INDUSTRIES INC., 2014				1005 Atlantic Drive West Chicago, IL 60185 (630)293-0303	PART NO.	ENG. ID.
<small>ALL DIMENSIONS, DESIGNS, AND INFORMATION ON THIS PRINT MUST BE CONSIDERED PROPRIETARY TO SNYDER INDUSTRIES, INC. AND MAY NOT BE USED, COPIED, OR DISTRIBUTED WITHOUT WRITTEN PERMISSION OF AN OFFICER (OR HIS AGENT) OF THE FIRM.</small>				www.bonarplastics.com	<b>6270100TXXXXX</b>	<b>D001957</b>
					SHEET	1 OF 1