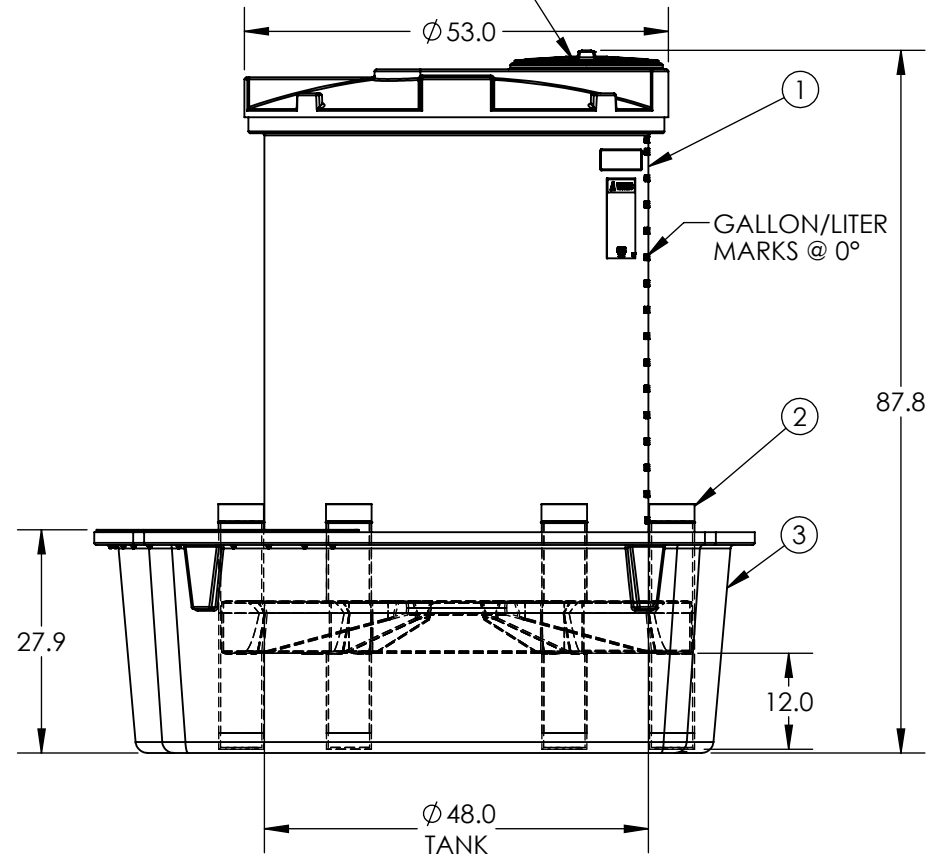



18" PE THREADED/VENTED  
MANWAY w/ 15" ACCESS



④ SHRINK WRAP NOT SHOWN

4	1	00000171	PROTECTIVE PLASTIC PACKAGING 200 - 850
3	1	6270700B97802	ASM CNT 485G BASIN HD/BLK W/SHELF
2	1	1760000N97601	ASM STAND FLAT/CONE 48X12 HD/RED
1	1	5770100N__01	ASM TK 440VNT X 48
ITEM NO.	QTY.	PART NUMBER	DESCRIPTION
DO NOT SCALE		DRAWN BY	DATE
STATUS: Released		ET3	03/19/2014
© SNYDER INDUSTRIES INC., 2014			 <b>TITLE: ASM TK 440VNT CHEMFED W/STND</b>
<small>ALL DIMENSIONS, DESIGNS, AND INFORMATION ON THIS PRINT MUST BE CONSIDERED PROPRIETARY TO SNYDER INDUSTRIES, INC. AND MAY NOT BE USED, COPIED, OR DISTRIBUTED WITHOUT WRITTEN PERMISSION OF AN OFFICER (OR HIS AGENT) OF THE FIRM.</small>			<small>REVISION</small> <b>A</b> <small>SHEET</small> 1 OF 1
		<small>PART NO.</small> <b>5770104N</b>	<small>ENG. ID.</small> <b>D001754</b>
		<small>(402) 467-5221</small> <small>www.snydernef.com</small>	

**\*ALL EXTERNAL PIPING MUST BE INDEPENDENTLY SUPPORTED.**  
**\*ONLY BASE FITTINGS TO BE LEFT INSTALLED AT TIME OF SHIPMENT PER SII PROCEDURE.**  
**\*Consult Snyder's Guidelines for Use and Installation prior to delivery.**  
 Available on-line at <http://www.snyderindustriestanks.com/Technical>  
**ALL DIMENSIONS ARE IN INCHES, NOMINAL, & SUBJECT TO CHANGE WITHOUT NOTICE.**  
**ALL DIMENSIONS ON ROTATIONAL MOLDED PARTS ARE SUBJECT TO A ± 3% TOLERANCE.**