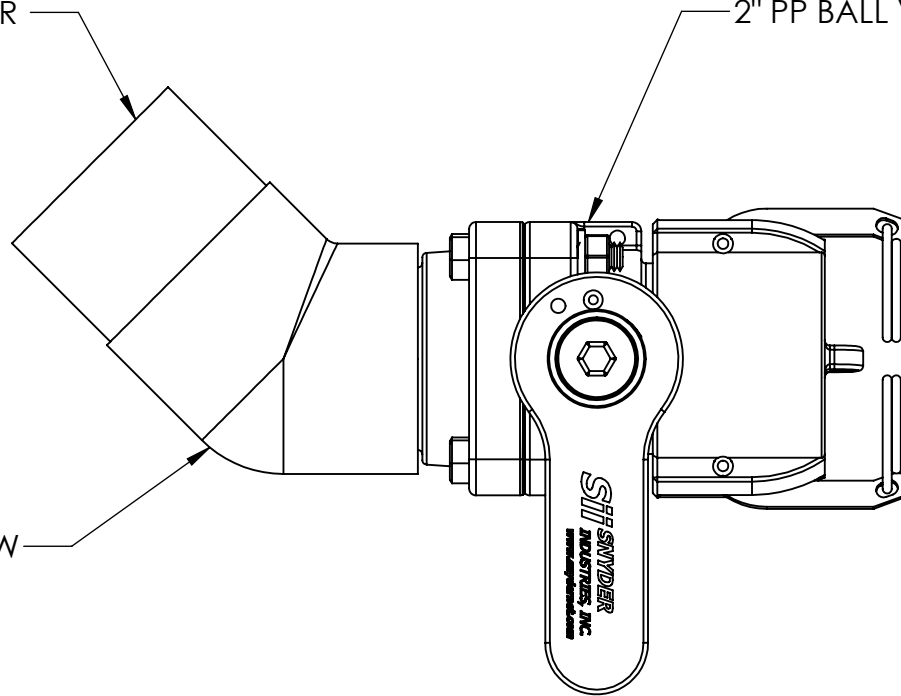


2" MPT X SOC PVC ADAPTER

2" PP BALL VALVE WITH CAP

2" FPT X FPT PVC 45° ELBOW



***ALL EXTERNAL PIPING MUST BE INDEPENDENTLY SUPPORTED.**
***ONLY BASE FITTINGS TO BE LEFT INSTALLED AT TIME OF SHIPMENT PER SII PROCEDURE.**
***Consult Snyder's Guidelines for Use and Installation prior to delivery.**
 Available on-line at <http://www.snyderindustriestanks.com/Technical>
ALL DIMENSIONS ARE IN INCHES, NOMINAL, & SUBJECT TO CHANGE WITHOUT NOTICE.
ALL DIMENSIONS ON ROTATIONAL MOLDED PARTS ARE SUBJECT TO A ± 3% TOLERANCE.

DO NOT SCALE		DRAWN BY	DATE		TITLE:	REVISION
STATUS: Released		SB	02/19/2014		ASM VALVE 2IN STUBBY W/45° ADAPTOR PVC	A
© SNYDER INDUSTRIES INC., 2014				4700 Fremont Street Lincoln, NE 68504 (402) 467-5221 www.snyder.net.com	PART NO.	ENG. ID.
<small>ALL DIMENSIONS, DESIGNS, AND INFORMATION ON THIS PRINT MUST BE CONSIDERED PROPRIETARY TO SNYDER INDUSTRIES, INC. AND MAY NOT BE USED, COPIED, OR DISTRIBUTED WITHOUT WRITTEN PERMISSION OF AN OFFICER (OR HIS AGENT) OF THE FIRM.</small>					34701319	D001614
						SHEET 1 OF 1