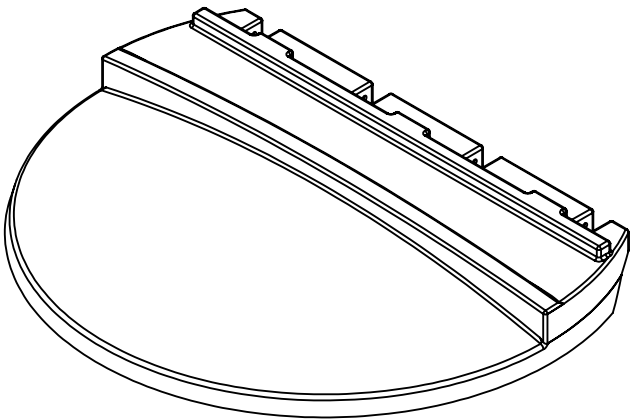
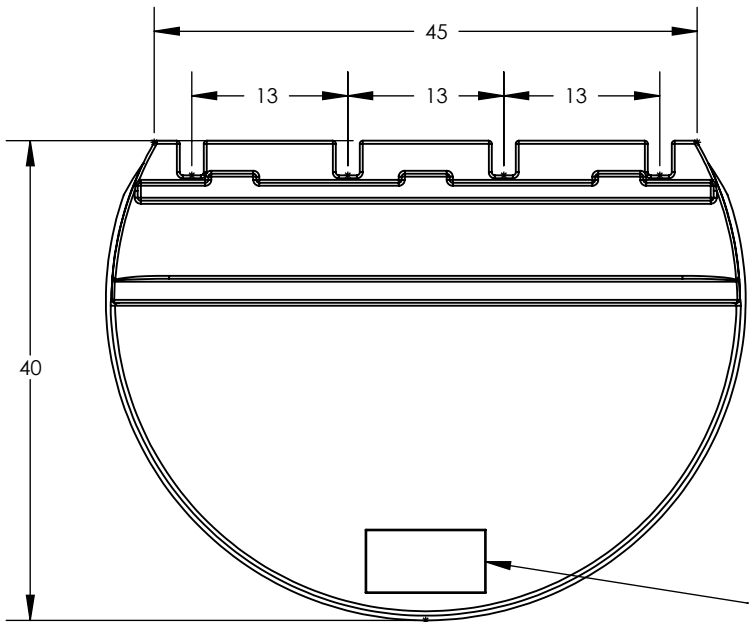


WEIGHT (LBS.)	16
PREDRILLED BOLT HOLES	4
SHIPPING QUANTITY PER PALLET	20
NOM WALL THICKNESS	.200"

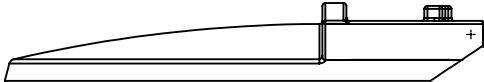
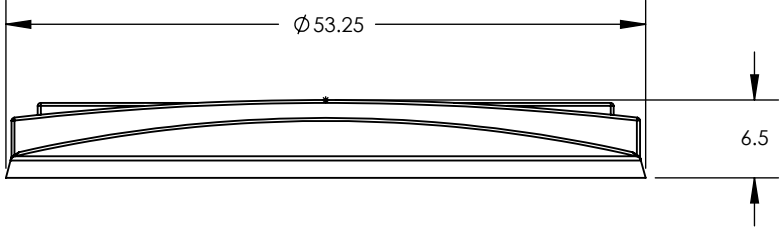


MOLDED IN LETTERING READS:

KEEP LID CLOSED

NOT ALLOWED IN CONTAINER	NO PERMITIDO DENTRO DEL BOTE
OVERFILLING	NO SOBRE LLENAR
HOT ASHES	CENIZAS CALIENTES
CONSTRUCTION MATERIALS	MATERIAL DE CONSTRUCCION
PAINTS OR CHEMICALS	PINTURAS O QUIMICOS
AUTO PARTS	PARTES DE AUTOS
DEAD ANIMALS	ANIMALES MUERTOS

DO NOT DRAG OR MISHANDLE



ALL DIMENSIONS ARE IN INCHES, NOMINAL, & SUBJECT TO CHANGE WITHOUT NOTICE.
 ALL DIMENSIONS ON ROTATIONAL MOLDED PARTS ARE SUBJECT TO A ± 3% TOLERANCE.

DO NOT SCALE		DRAWN BY	SNI SNYDER INDUSTRIES, INC.	TITLE:	LID REFUSE LARGE	REVISION
STATUS: Released		TS		ENG. ID.		
© SNYDER INDUSTRIES INC., 2017				PART NO.	7801300E	A
ALL DIMENSIONS, DESIGNS, AND INFORMATION ON THIS PRINT MUST BE CONSIDERED PROPRIETARY TO SNYDER INDUSTRIES, INC. AND MAY NOT BE USED, COPIED, OR DISTRIBUTED WITHOUT WRITTEN PERMISSION OF AN OFFICER (OR HIS AGENT) OF THE FIRM.				ENG. ID.	D001500	SHEET 1 OF 1
www.snydernet.com				(402) 467-5221		