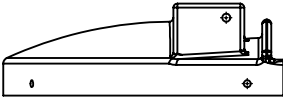
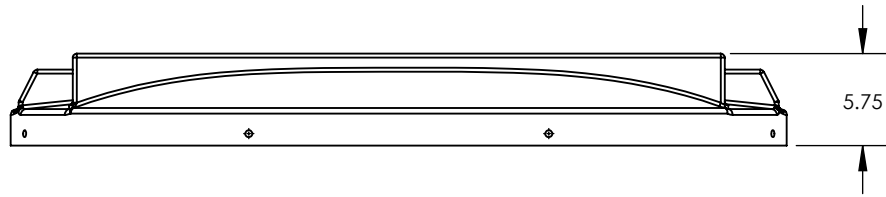
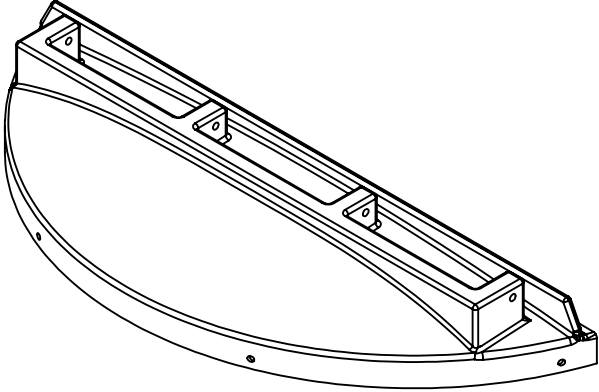
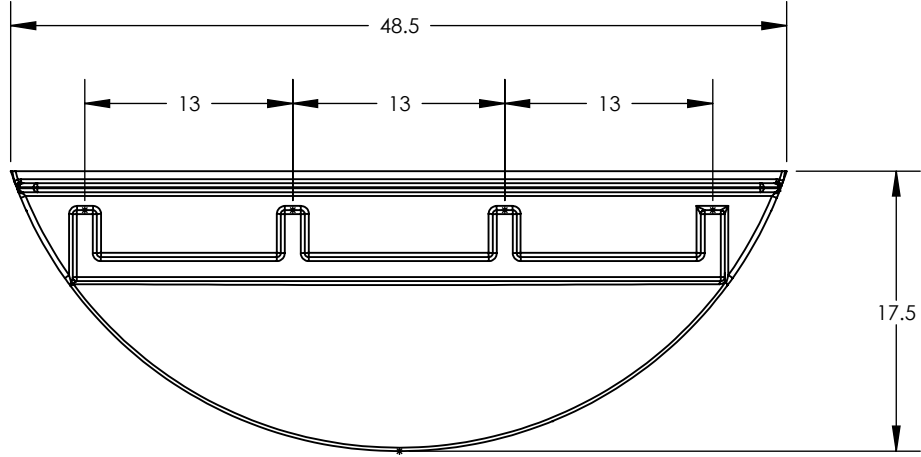


WEIGHT (LBS.)	7
PREDRILLED BOLT/HINGE HOLES	8
SHIPPING QUANTITY PER PALLET	20
NOMINAL WALL THICKNESS	.150"



ALL DIMENSIONS ARE IN INCHES, NOMINAL, & SUBJECT TO CHANGE WITHOUT NOTICE.  
 ALL DIMENSIONS ON ROTATIONAL MOLDED PARTS ARE SUBJECT TO A ± 3% TOLERANCE.

DO NOT SCALE	DRAWN BY		TITLE:	REVISION
STATUS: <b>Released</b>	TS		<b>LID REFUSE SMALL</b>	<b>A</b>
© SNYDER INDUSTRIES INC., 2017		www.snydernet.com	PART NO.	SHEET
ALL DIMENSIONS, DESIGNS, AND INFORMATION ON THIS PRINT MUST BE CONSIDERED PROPRIETARY TO SNYDER INDUSTRIES, INC. AND MAY NOT BE USED, COPIED, OR DISTRIBUTED WITHOUT WRITTEN PERMISSION OF AN OFFICER (OR HIS AGENT) OF THE FIRM.			<b>7801200E</b>	1 OF 1
		(402) 467-5221	ENG. ID.	<b>D001499</b>