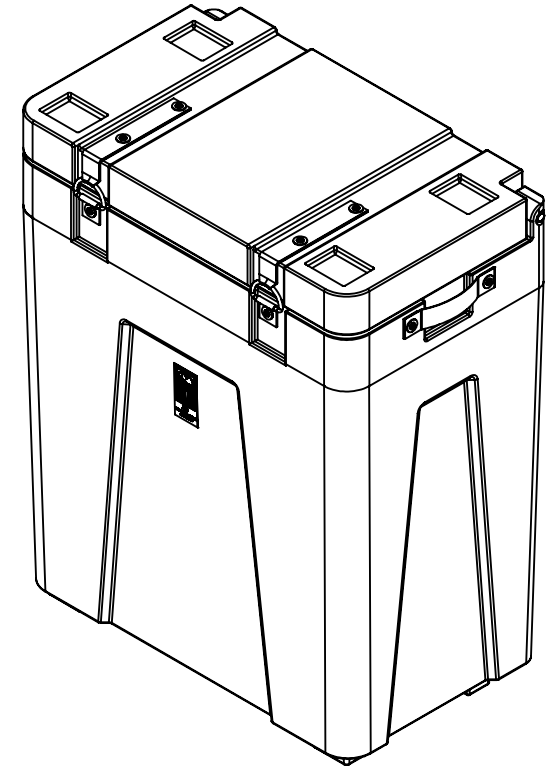
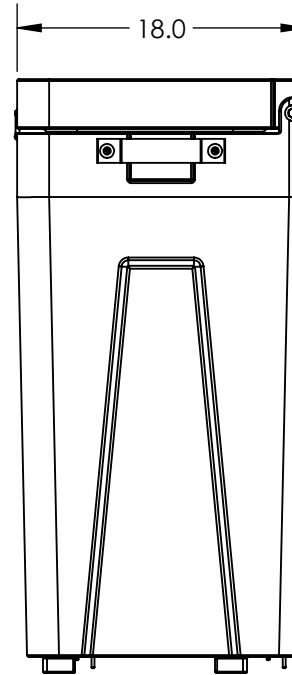
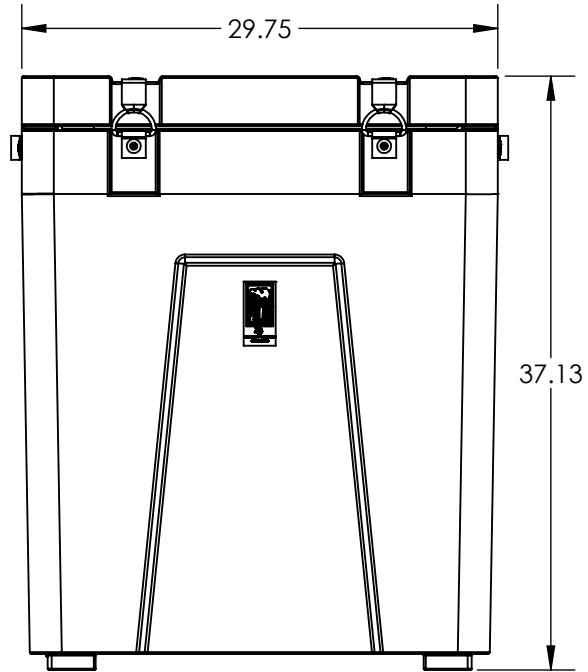


INTERNAL DIMENSIONS:

L= 13.0"  
 W= 24.25"  
 H= 31.0"



ALL DIMENSIONS ARE IN INCHES, NOMINAL, & SUBJECT TO CHANGE WITHOUT NOTICE.  
 ALL DIMENSIONS ON ROTATIONAL MOLDED PARTS ARE SUBJECT TO A  $\pm$  3% TOLERANCE.

|   |                 |          |  |                |                 |
|---|-----------------|----------|--|----------------|-----------------|
| DO NOT SCALE  |                 | DRAWN BY | BONAR PLASTICS<br>WWW.BONARPLASTICS.COM                        |                | REVISION        |
| STATUS:   | <b>Released</b> | TS       | 1005 Atlantic Drive<br>West Chicago, IL 60185<br>(630)293-0303 |                | <b>A</b>        |
| © SNYDER INDUSTRIES INC., 2017  |                 |          | www.bonarplastics.com  |                | SHEET<br>1 OF 1 |
| ALL DIMENSIONS, DESIGNS, AND INFORMATION ON THIS PRINT MUST BE CONSIDERED PROPRIETARY TO SNYDER INDUSTRIES, INC. AND MAY NOT BE USED, COPIED, OR DISTRIBUTED WITHOUT WRITTEN PERMISSION OF AN OFFICER (OR HIS AGENT) OF THE FIRM. |                 |          | PART NO.   | ENG. ID.       |                 |
|   |                 |          | <b>1930200M</b>  | <b>D001447</b> |                 |

TITLE: **ASM INSUL BIN PB05 HL**

**1930200M**

ENG. ID. **D001447**