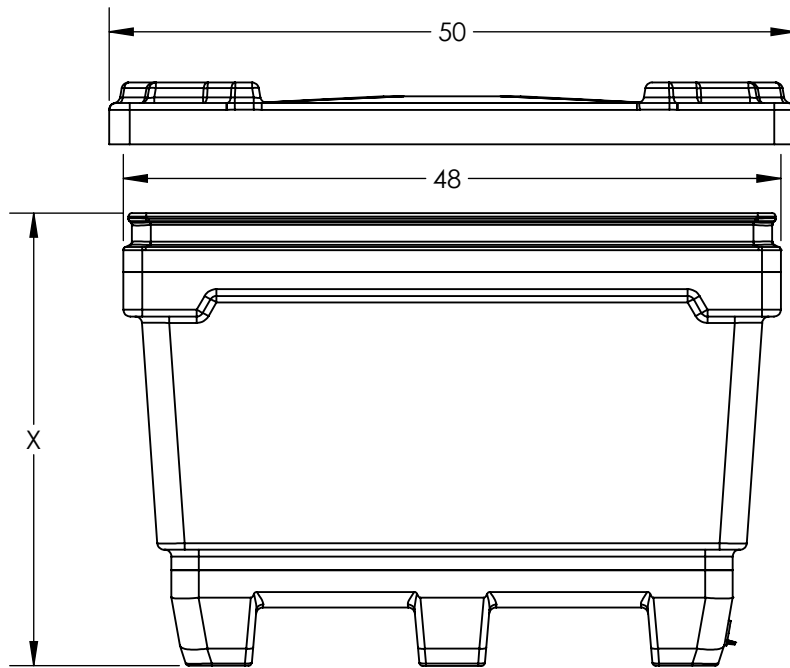
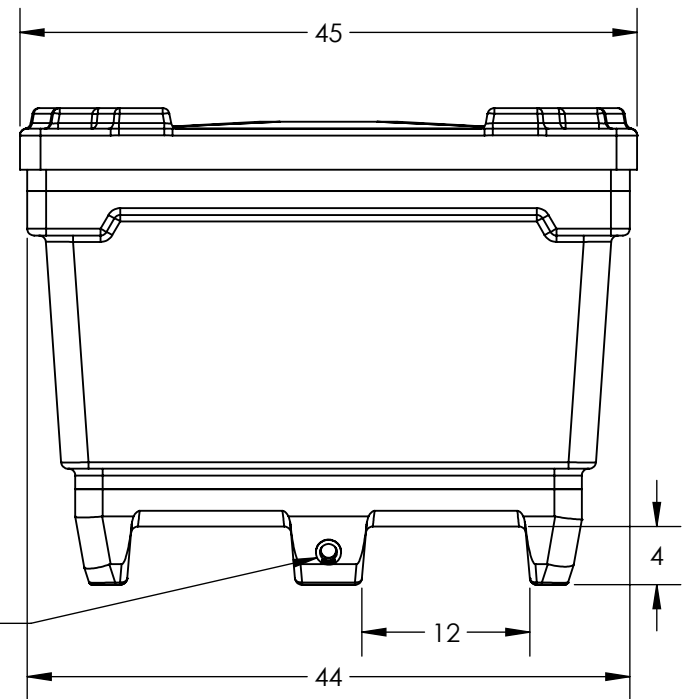


HEIGHT	PART NUMBER	DRAWING
X=33"	1014400M	D002837
X=36"	1014500M	D002839
X=39"	1014600M	D002840
X=42"	1014700M	D002841
X=45"	1014800M	D002842
X=48"	1014900M	D002844
X=51"	1015000M	D002845
X=56"	1015100M	D002847
X=62"	1023600M	D002848



SHOWN WITH OPTIONAL LID
(1017100M)



OPTIONAL DRAIN
LOCATED AS SHOWN

ALL DIMENSIONS ARE IN INCHES, NOMINAL, & SUBJECT TO CHANGE WITHOUT NOTICE.
ALL DIMENSIONS ON ROTATIONAL MOLDED PARTS ARE SUBJECT TO A \pm 3% TOLERANCE.

DO NOT SCALE	DRAWN BY	DATE	 1005 Atlantic Drive West Chicago, IL 60185 (630)293-0303 www.bonarplastics.com	TITLE:	ASM 2700 MONSTER COMBO	REVISION
STATUS:	ET3	12/31/2013		PART NO.		ENG. ID.
© SNYDER INDUSTRIES INC., 2013						SHEET 1 OF 1
<small>ALL DIMENSIONS, DESIGNS, AND INFORMATION ON THIS PRINT MUST BE CONSIDERED PROPRIETARY TO SNYDER INDUSTRIES, INC. AND MAY NOT BE USED, COPIED, OR DISTRIBUTED WITHOUT WRITTEN PERMISSION OF AN OFFICER (OR HIS AGENT) OF THE FIRM.</small>						D001420