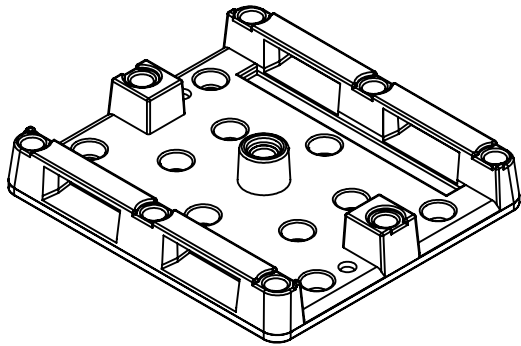
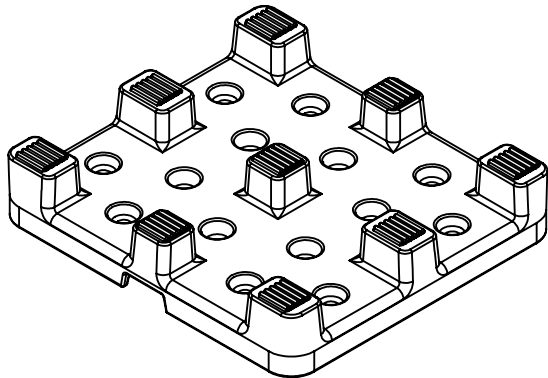


4WY MONSTER COMBO BASE  
(1016800M)

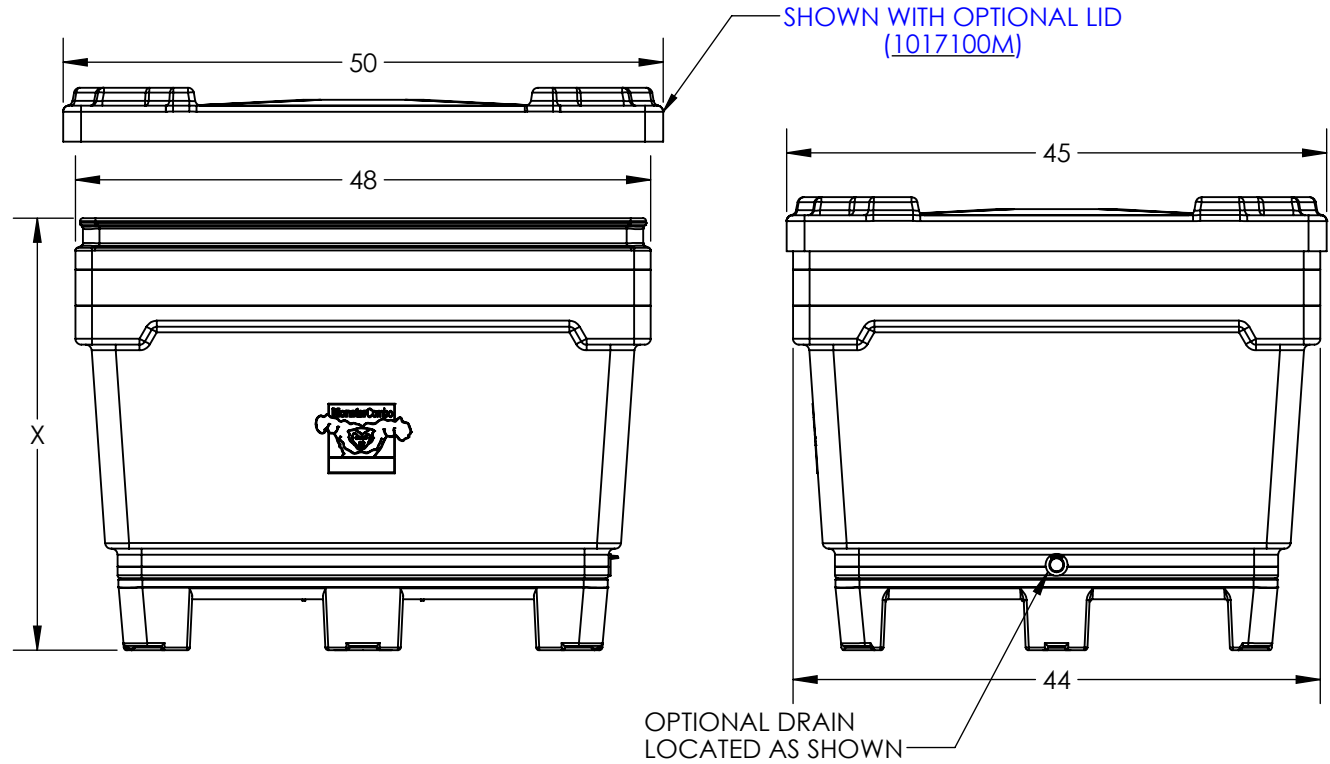


ROTATABLE MONSTER COMBO BASE  
(1017000M)  
W/CASTERS (1017001M)



4WY REMOVABLE SOCKET BASE  
(1016900M)

HEIGHT	PART NUMBER	DRAWING
X=30"	1017200M	<a href="#">D002876</a>
X=33"	1016000M	<a href="#">D002882</a>
X=36"	1016100M	<a href="#">D002869</a>
X=39"	1016200M	<a href="#">D002870</a>
X=42"	1016300M	<a href="#">D002871</a>
X=45"	1016400M	<a href="#">D002872</a>
X=48"	1016500M	<a href="#">D002873</a>
X=51"	1016600M	<a href="#">D002874</a>
X=56"	1016700M	<a href="#">D002875</a>
X=59"	1028400M	<a href="#">D002877</a>
X=62"	1031700M	<a href="#">D002881</a>



WELDED/SEALED BASE OPTION AVAILABLE ON BIN ASSEMBLIES W/ BOLT-ON BASES.

ALL DIMENSIONS ARE IN INCHES, NOMINAL, & SUBJECT TO CHANGE WITHOUT NOTICE.  
ALL DIMENSIONS ON ROTATIONAL MOLDED PARTS ARE SUBJECT TO A  $\pm$  3% TOLERANCE.

DO NOT SCALE		DRAWN BY	TITLE:		REVISION
STATUS:	Released	ET3	ASM 2900 MONSTER COMBO		B
© SNYDER INDUSTRIES, LLC, 2019		 1005 Atlantic Drive West Chicago, IL 60185 (630)293-0303 <a href="http://www.bonarplastics.com">www.bonarplastics.com</a>		PART NO.	SHEET 1 OF 1
ALL DIMENSIONS, DESIGNS, AND INFORMATION ON THIS PRINT MUST BE CONSIDERED PROPRIETARY TO SNYDER INDUSTRIES, LLC, AND MAY NOT BE USED, COPIED, OR DISTRIBUTED WITHOUT WRITTEN PERMISSION OF AN OFFICER (OR HIS AGENT) OF THE FIRM.		ENG. ID.		D001414	