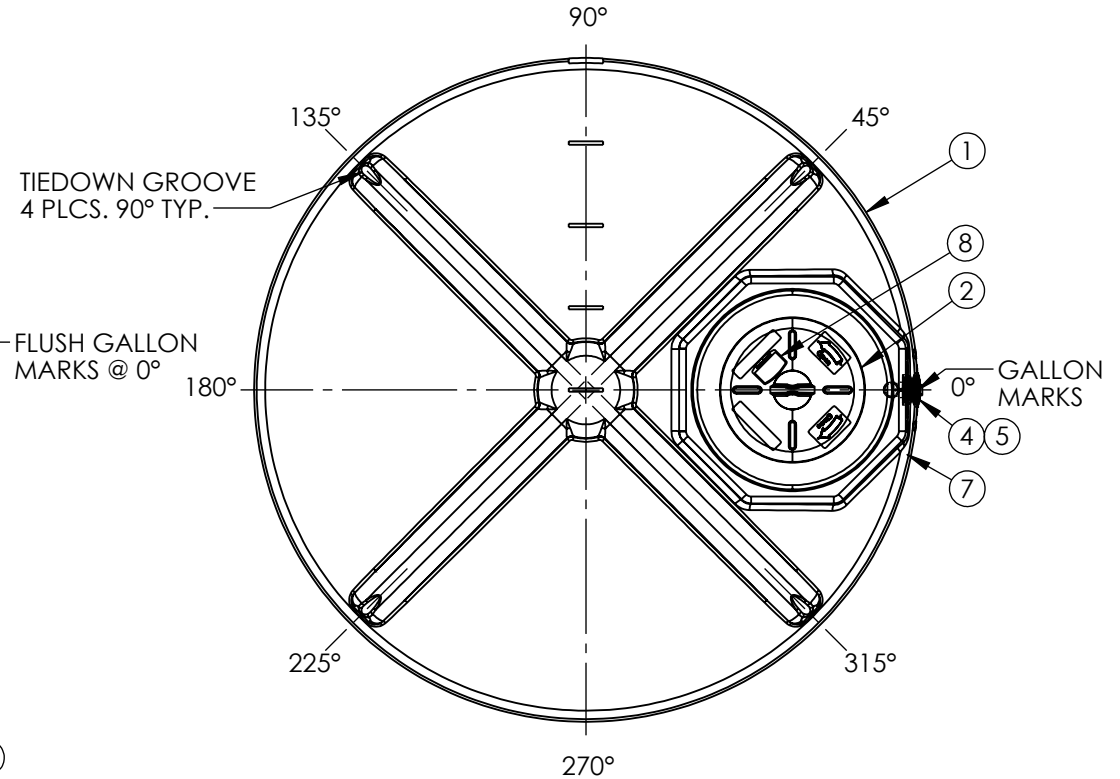
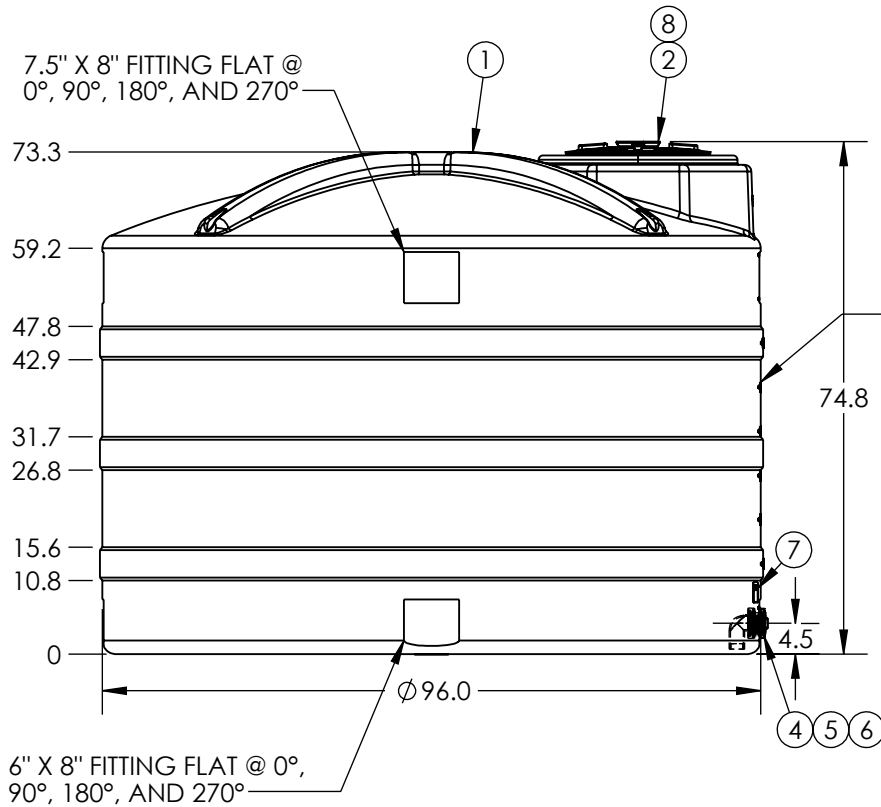



PART NUMBER	TANK COLOR
32166	NATURAL 1.5
32168	BLACK 1.5
32170	NATURAL 1.9



**\*ALL EXTERNAL PIPING MUST BE INDEPENDENTLY SUPPORTED.**  
**\*ONLY BASE FITTINGS TO BE LEFT INSTALLED AT TIME OF SHIPMENT PER SII PROCEDURE.**  
**ALL DIMENSIONS ARE IN INCHES, NOMINAL, & SUBJECT TO CHANGE WITHOUT NOTICE.**  
**ALL DIMENSIONS ON ROTATIONAL MOLDED PARTS ARE SUBJECT TO A ± 3% TOLERANCE.**

8	1	61848	DECAL AG WARNING - LARGE
7	1	61847	DECAL AG WARNING - SMALL
6	1	60335	SIPHON TUBE PP 2IN X 3-3/4LG
5	1	60021	2" NPT PLUG
4	1	63683	FTG 2IN HD BH PP/EPDM
3	8	60081	SCREW #9 X 1" SS 5"-22" LID
2	1	64448	MANWAY 20IN W/VENT R
1	1	30344-FW	2000V X 96 RP FW
ITEM NO.	QTY.	PART NUMBER	DESCRIPTION
DO NOT SCALE		DRAWN BY	TITLE:
Released		IGG	2000 V R WF
© TANK HOLDING, CORP, 2022		 A BRAND OF TANK HOLDING CORP.	REVISION <b>A</b>
ALL DIMENSIONS, DESIGNS, AND INFORMATION ON THIS PRINT MUST BE CONSIDERED PROPRIETARY TO TANK HOLDING, CORP. AND MAY NOT BE USED, COPIED, OR DISTRIBUTED WITHOUT WRITTEN PERMISSION OF AN OFFICER (OR HIS AGENT) OF THE FIRM.		(402) 467-5221 www.snydermet.com	SHEET 1 OF 1
		PART NO.	ENG. ID.
		SEE CHART	A023869