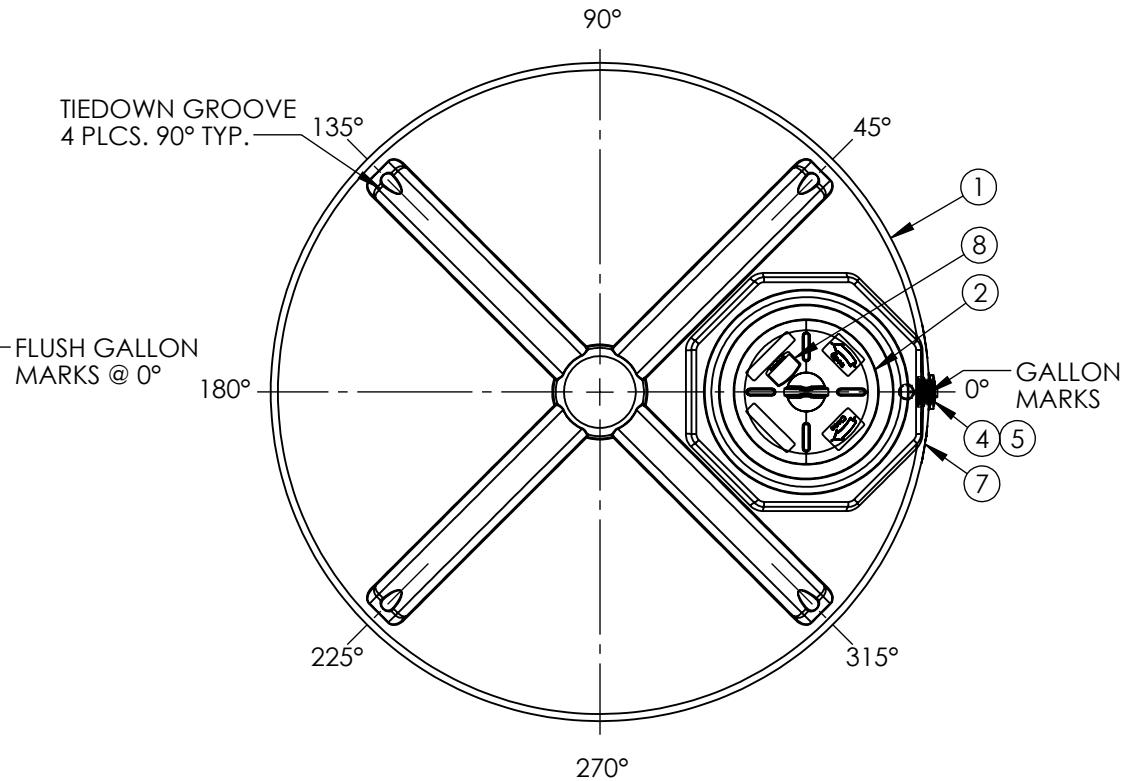
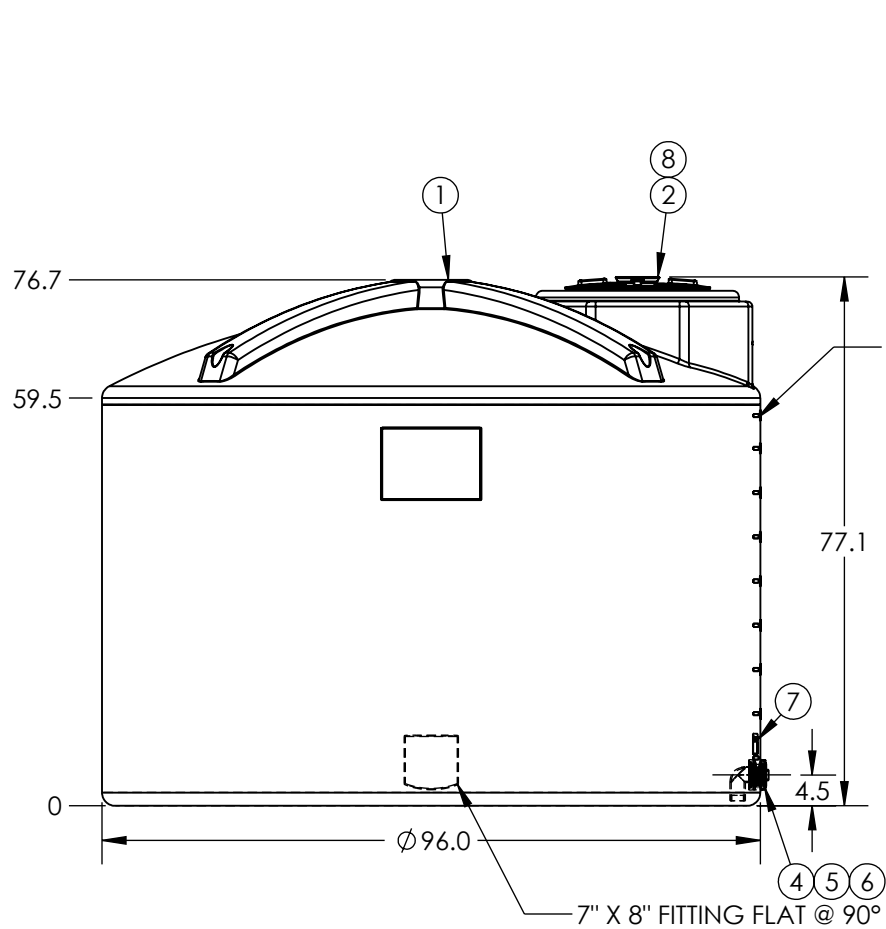



| PART NUMBER | TANK COLOR |
|-------------|-------------|
| 32722 | NATURAL 1.5 |
| 32726 | NATURAL 1.9 |



| | | | |
|---|---|-------|------------------------------|
| 8 | 1 | 61848 | DECAL AG WARNING - LARGE |
| 7 | 1 | 61847 | DECAL AG WARNING - SMALL |
| 6 | 1 | 60335 | SIPHON TUBE PP 2IN X 3-3/4LG |
| 5 | 1 | 60021 | 2" NPT PLUG |
| 4 | 1 | 63683 | FTG 2IN HD BH PP/EPDM |
| 3 | 8 | 60081 | SCREW #9 X 1" SS 5"-22" LID |
| 2 | 1 | 64448 | MANWAY 20IN W/VENT R |
| 1 | 1 | 30344 | 2000V X 96 RP |

| ITEM NO. | QTY. | PART NUMBER | DESCRIPTION |
|---|------|---|----------------------|
| DO NOT SCALE | | DRAWN BY | TITLE: |
| STATUS: Released | | IGG | 2000 V RS WF |
| © TANK HOLDING, CORP, 2022 | |  A BRAND OF TANK HOLDING CORP. | REVISION A |
| ALL DIMENSIONS, DESIGNS, AND INFORMATION ON THIS PRINT MUST BE CONSIDERED PROPRIETARY TO TANK HOLDING, CORP. AND MAY NOT BE USED, COPIED, OR DISTRIBUTED WITHOUT WRITTEN PERMISSION OF AN OFFICER (OR HIS AGENT) OF THE FIRM. | | (402) 467-5221 www.snydermet.com | SHEET 1 OF 1 |
| | | PART NO. SEE CHART | ENG. ID. A023799 |

***ALL EXTERNAL PIPING MUST BE INDEPENDENTLY SUPPORTED.**
***ONLY BASE FITTINGS TO BE LEFT INSTALLED AT TIME OF SHIPMENT PER SII PROCEDURE.**
ALL DIMENSIONS ARE IN INCHES, NOMINAL, & SUBJECT TO CHANGE WITHOUT NOTICE.
ALL DIMENSIONS ON ROTATIONAL MOLDED PARTS ARE SUBJECT TO A ± 3% TOLERANCE.