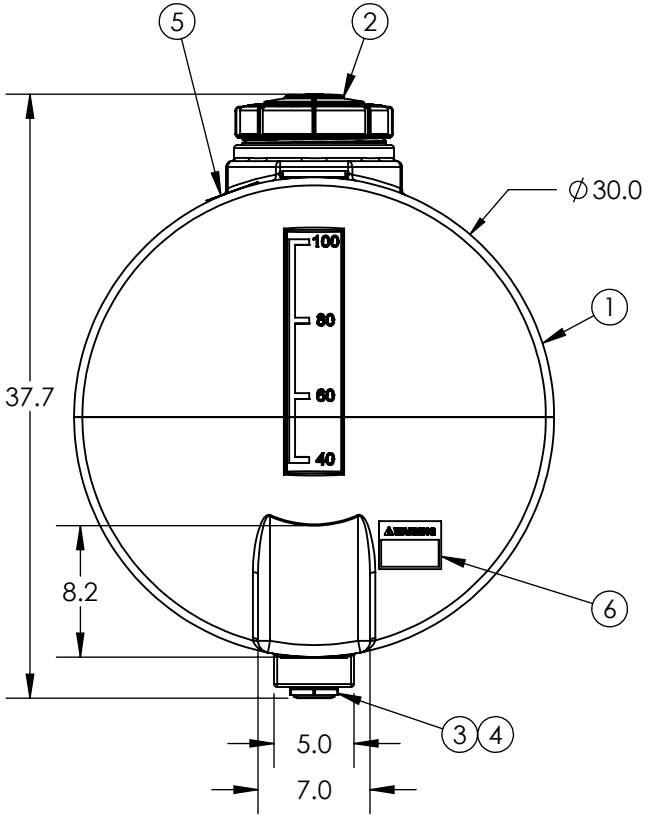
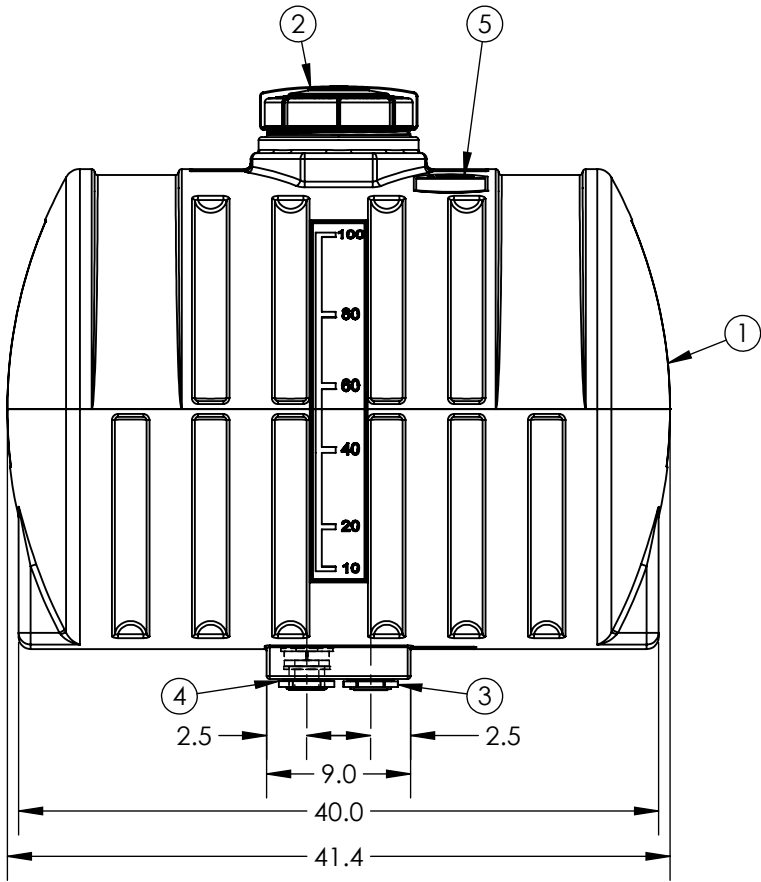


PART NUMBER	MATERIAL
32048	GRAY 1.5 SG
32050	NATURAL 1.5 SG



6	1	61847	DECAL AG WARNING - SMALL
5	1	61848	DECAL AG WARNING - LARGE
4	1	63065	FTG 1-1/4IN AV BH PP/EPDM
3	1	60403	FTG 1-1/4IN BH PP/EPDM TXT
2	1	34700088	ASM CAP 10IN PE W/TIE
1	1	30381	110 X 30 HOR APP TANK

ITEM NO.	QTY.	PART NUMBER	DESCRIPTION
DO NOT SCALE		DRAWN BY	REVISION
STATUS: Released		IGG	A
© TANK HOLDING, CORP, 2022		 A BRAND OF TANK HOLDING CORP.	TITLE: 110 APP R WF
ALL DIMENSIONS, DESIGNS, AND INFORMATION ON THIS PRINT MUST BE CONSIDERED PROPRIETARY TO TANK HOLDING, CORP. AND MAY NOT BE USED, COPIED, OR DISTRIBUTED WITHOUT WRITTEN PERMISSION OF AN OFFICER (OR HIS AGENT) OF THE FIRM.		(402) 467-5221 www.snydermet.com	REVISION SHEET 1 OF 1
		PART NO. SEE CHART	ENG. ID. A023723

*ALL EXTERNAL PIPING MUST BE INDEPENDENTLY SUPPORTED.
 *ONLY BASE FITTINGS TO BE LEFT INSTALLED AT TIME OF SHIPMENT PER SII PROCEDURE.
 ALL DIMENSIONS ARE IN INCHES, NOMINAL, & SUBJECT TO CHANGE WITHOUT NOTICE.
 ALL DIMENSIONS ON ROTATIONAL MOLDED PARTS ARE SUBJECT TO A ± 3% TOLERANCE.