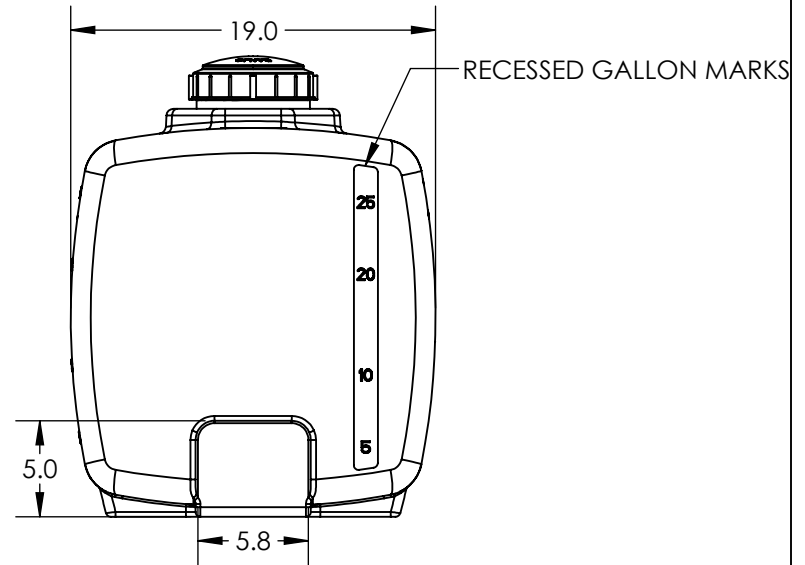
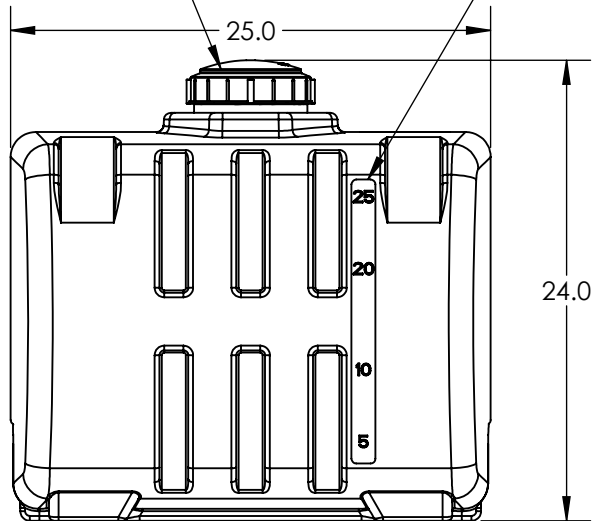


6" PE THREADED/VENTED  
MANWAY w/ 4" ACCESS

RECESSED GALLON MARKS



**\*ALL EXTERNAL PIPING MUST BE INDEPENDENTLY SUPPORTED.**  
**\*ONLY BASE FITTINGS TO BE LEFT INSTALLED AT TIME OF SHIPMENT PER SII PROCEDURE.**  
**ALL DIMENSIONS ARE IN INCHES, NOMINAL, & SUBJECT TO CHANGE WITHOUT NOTICE.**  
**ALL DIMENSIONS ON ROTATIONAL MOLDED PARTS ARE SUBJECT TO A ± 3% TOLERANCE.**

DO NOT SCALE		DRAWN BY	TITLE:		REVISION
STATUS: <b>Released</b>		IGG	<b>TK 30 PCO NAT R 1.5 WOF</b>		<b>A</b>
© TANK HOLDING, CORP, 2022			STI <b>SNYDER</b> INDUSTRIES A BRAND OF TANK HOLDING CORP.		SHEET 1 OF 1
ALL DIMENSIONS, DESIGNS, AND INFORMATION ON THIS PRINT MUST BE CONSIDERED PROPRIETARY TO TANK HOLDING, CORP. AND MAY NOT BE USED, COPIED, OR DISTRIBUTED WITHOUT WRITTEN PERMISSION OF AN OFFICER (OR HIS AGENT) OF THE FIRM.			(402) 467-5221 <a href="http://www.snydermet.com">www.snydermet.com</a>		ENG. ID.
			PART NO.	32225	<b>A023469</b>