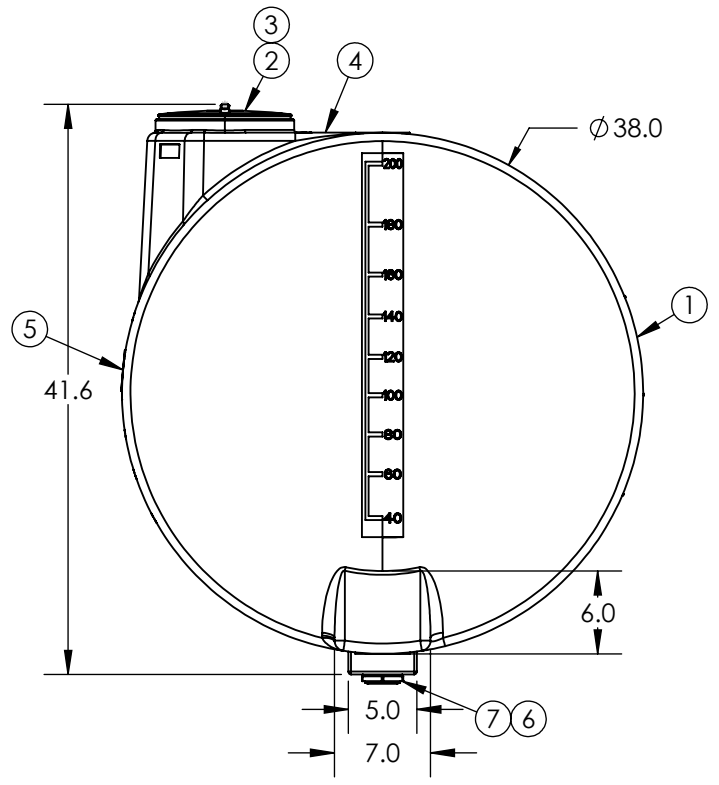
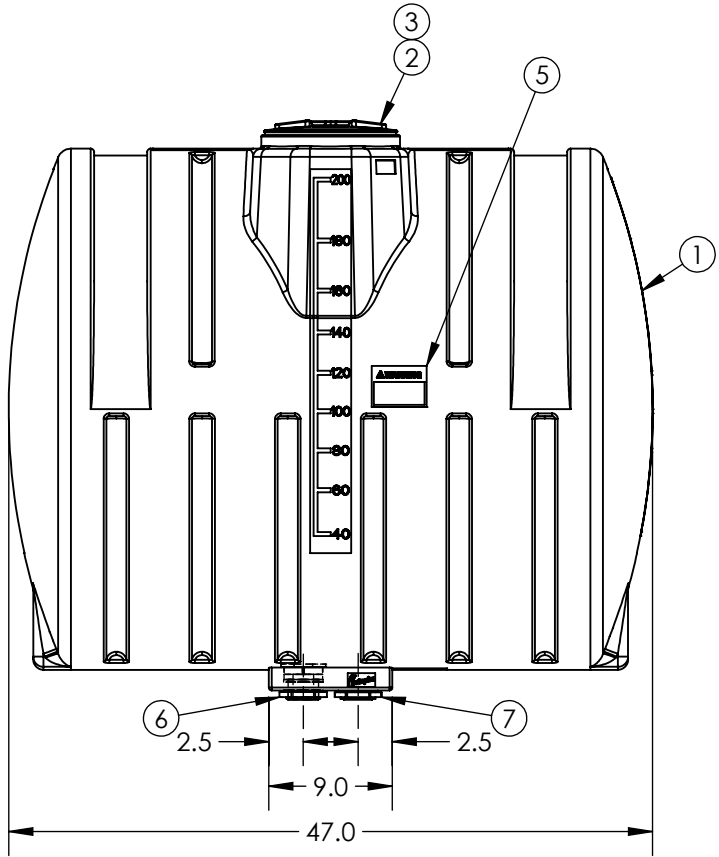



PART NUMBER	MATERIAL
32141	NATURAL 1.5
32588	YELLOW 1.5
32604	GRAY 1.5



7	1	60403	FTG 1-1/4IN BH PP/EPDM TXT
6	1	63065	FTG 1-1/4IN AV BH PP/EPDM
5	1	61847	DECAL AG WARNING - SMALL
4	1	61848	DECAL AG WARNING - LARGE
3	1	60081	SCREW #9 X 1" SS 5"-22" LID
2	1	64451	LID 8 W/RING W/VENT R
1	1	30398	200-38 APP R

ITEM NO.	QTY.	PART NUMBER	DESCRIPTION
DO NOT SCALE		DRAWN BY	REVISION
STATUS: Released		IGG	A
© TANK HOLDING, CORP, 2022		 A BRAND OF TANK HOLDING CORP.	TITLE: 200-38 APP R WF
ALL DIMENSIONS, DESIGNS, AND INFORMATION ON THIS PRINT MUST BE CONSIDERED PROPRIETARY TO TANK HOLDING, CORP. AND MAY NOT BE USED, COPIED, OR DISTRIBUTED WITHOUT WRITTEN PERMISSION OF AN OFFICER (OR HIS AGENT) OF THE FIRM.		(402) 467-5221 www.snydermet.com	PART NO. SEE CHART ENG. ID. A022846

*ALL EXTERNAL PIPING MUST BE INDEPENDENTLY SUPPORTED.
 *ONLY BASE FITTINGS TO BE LEFT INSTALLED AT TIME OF SHIPMENT PER SII PROCEDURE.
 ALL DIMENSIONS ARE IN INCHES, NOMINAL, & SUBJECT TO CHANGE WITHOUT NOTICE.
 ALL DIMENSIONS ON ROTATIONAL MOLDED PARTS ARE SUBJECT TO A ± 3% TOLERANCE.