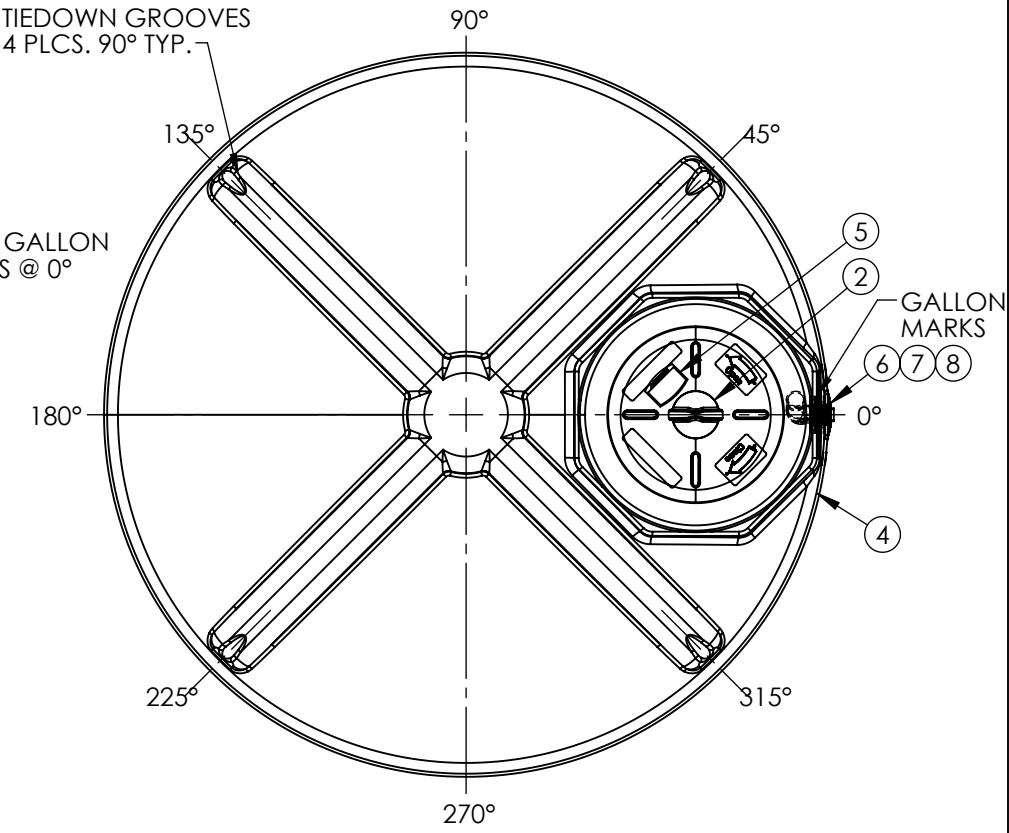
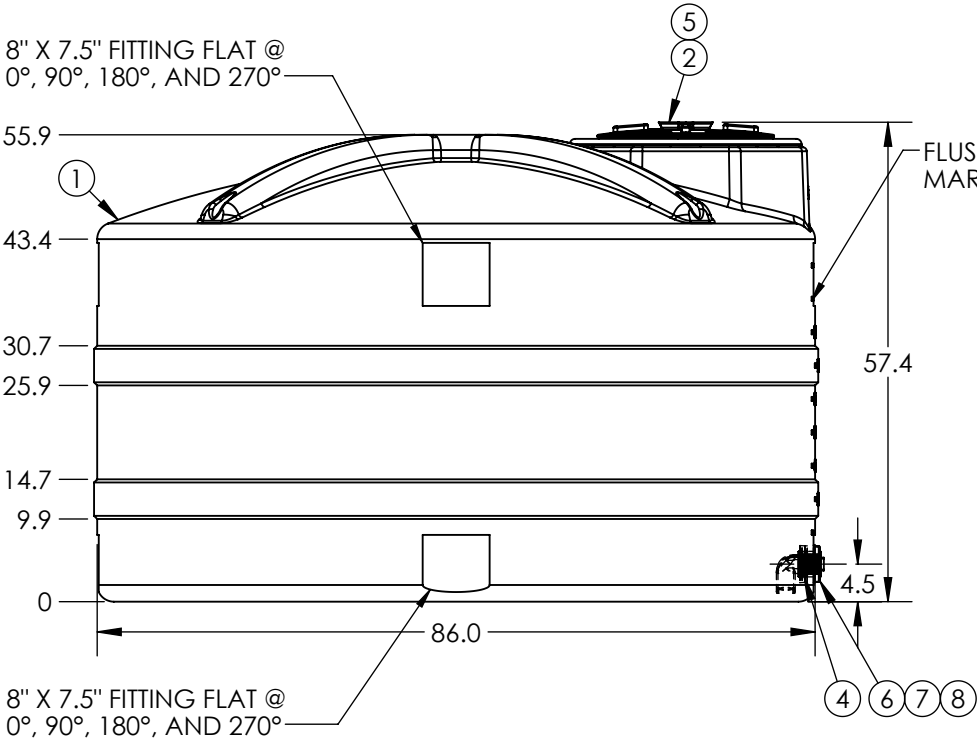


PART NUMBER	COLOR
32060	NATURAL 1.5
32062	BLACK 1.5
32064	NATURAL 1.9
32066	BLACK 1.9



***GALLON MARKS CAN BE REMOVED FOR FITTING PLACEMENT AS NECESSARY.**

***FITTINGS ARE CENTERED IN BOTTOM FITTING FLATS & FITTING HEIGHTS MAY VARY.**
***ALL EXTERNAL PIPING MUST BE INDEPENDENTLY SUPPORTED.**
***ONLY BASE FITTINGS TO BE LEFT INSTALLED AT TIME OF SHIPMENT PER SII PROCEDURE.**
ALL DIMENSIONS ARE IN INCHES, NOMINAL, & SUBJECT TO CHANGE WITHOUT NOTICE.
ALL DIMENSIONS ON ROTATIONAL MOLDED PARTS ARE SUBJECT TO A ± 3% TOLERANCE.

8	1	60021	2" NPT PLUG
7	1	60335	SIPHON TUBE PP 2IN X 3-3/4LG
6	1	63683	FTG 2IN HD BH PP/EPDM
5	1	61848	DECAL AG WARNING - LARGE
4	1	61847	DECAL AG WARNING - SMALL
3	1	60081	SCREW #9 X 1" SS 5"-22" LID
2	1	64448	MANWAY 20IN W/VENT R
1	1	30340	1200 X 86 RP

ITEM NO.	QTY.	PART NUMBER	DESCRIPTION
DO NOT SCALE		DRAWN BY	TITLE:
STATUS: Released		IGG	1200 V R WF
© SNYDER INDUSTRIES, LLC, 2021			REVISION A
ALL DIMENSIONS, DESIGNS, AND INFORMATION ON THIS PRINT MUST BE CONSIDERED PROPRIETARY TO SNYDER INDUSTRIES, LLC, AND MAY NOT BE USED, COPIED, OR DISTRIBUTED WITHOUT WRITTEN PERMISSION OF AN OFFICER (OR HIS AGENT) OF THE FIRM.		(402) 467-5221 www.snydernet.com	SHEET 1 OF 1
PART NO.		ENG. ID.	
SEE CHART		A020158	