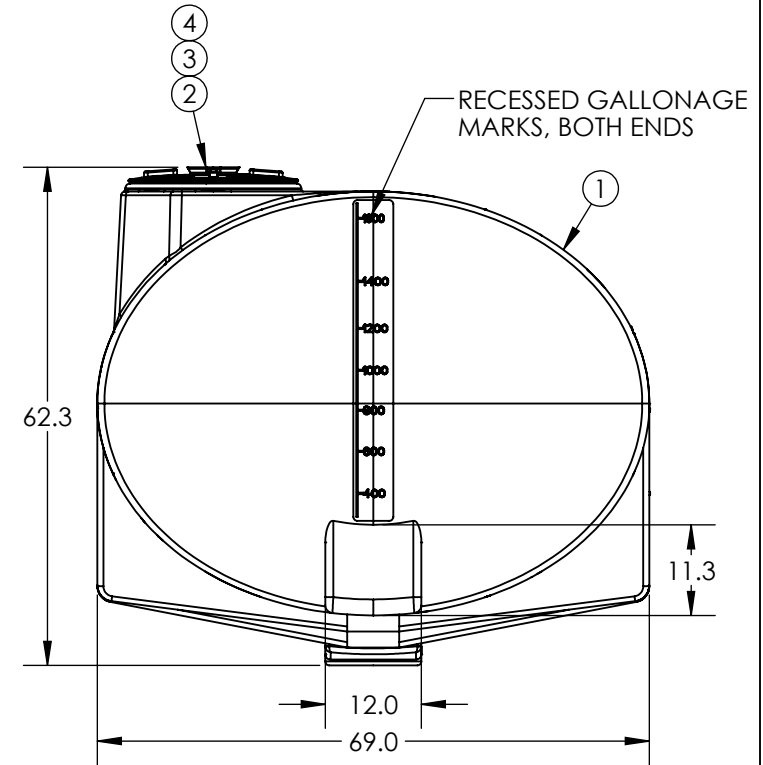
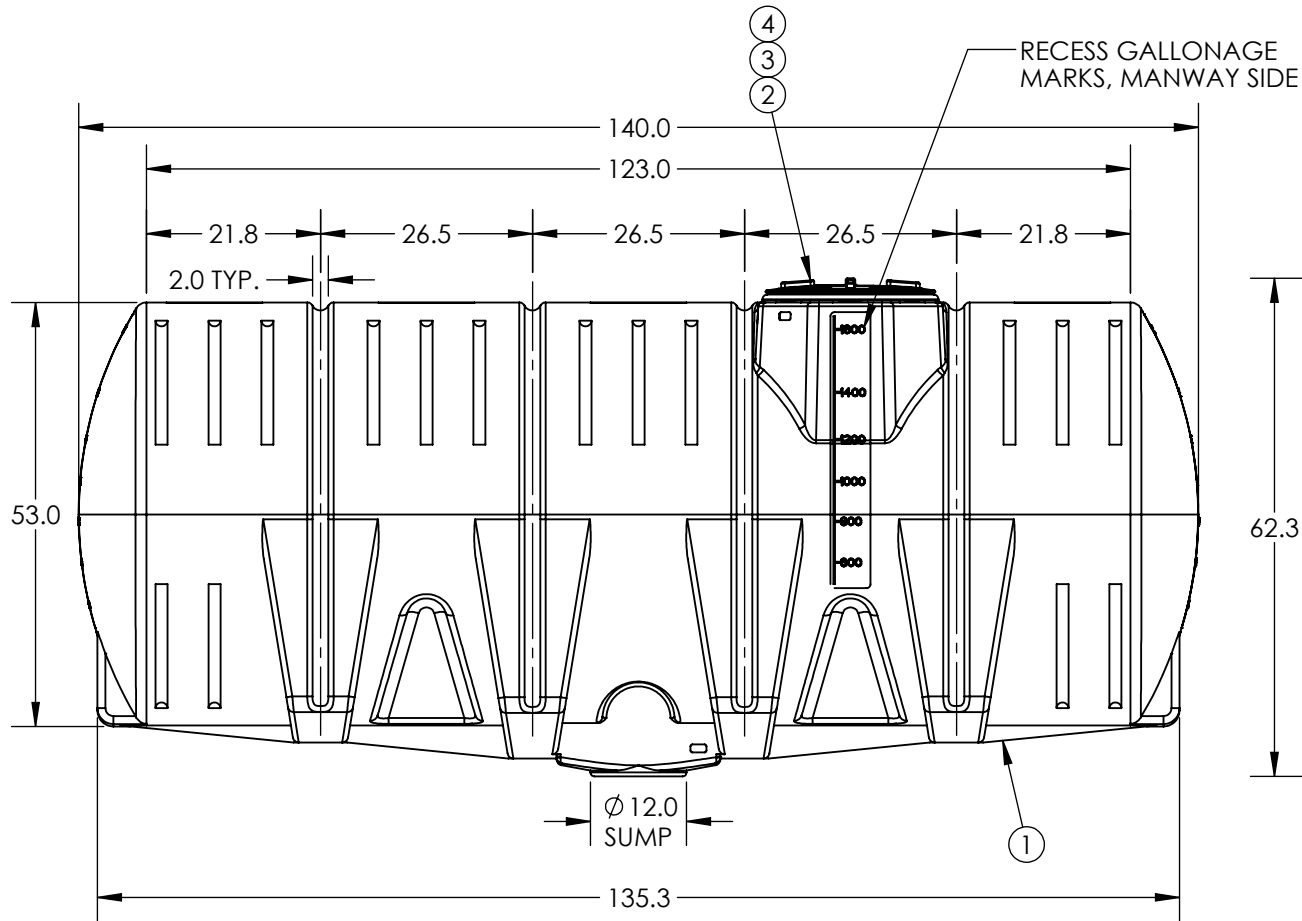


<b>PART NUMBER</b>	<b>COLOR</b>
32132	NATURAL 1.9



ITEM NO.	QTY.	PART NUMBER	DESCRIPTION
4	1	61848	DECAL AG WARNING - LARGE
3	8	60081	SCREW #9 X 1" SS 5"-22" LID
2	1	64448	MANWAY 20IN W/VENT R
1	1	30384	1610 DRAINABLE R

DO NOT SCALE		DRAWN BY	TITLE:	REVISION
Released		IGG	1610 EL LEG DRAIN R WOF	A
© SNYDER INDUSTRIES, LLC, 2021			PART NO.	SHEET
<small>ALL DIMENSIONS, DESIGNS, AND INFORMATION ON THIS PRINT MUST BE CONSIDERED PROPRIETARY TO SNYDER INDUSTRIES, LLC, AND MAY NOT BE USED, COPIED, OR DISTRIBUTED WITHOUT WRITTEN PERMISSION OF AN OFFICER (OR HIS AGENT) OF THE FIRM.</small>			SEE CHART	1 OF 1
<small>(402) 467-5221 www.snydernet.com</small>		ENG. ID.		A019611

\*ALL EXTERNAL PIPING MUST BE INDEPENDENTLY SUPPORTED.  
 \*ONLY BASE FITTINGS TO BE LEFT INSTALLED AT TIME OF SHIPMENT PER SII PROCEDURE.  
 ALL DIMENSIONS ARE IN INCHES, NOMINAL, & SUBJECT TO CHANGE WITHOUT NOTICE.  
 ALL DIMENSIONS ON ROTATIONAL MOLDED PARTS ARE SUBJECT TO A ± 3% TOLERANCE.