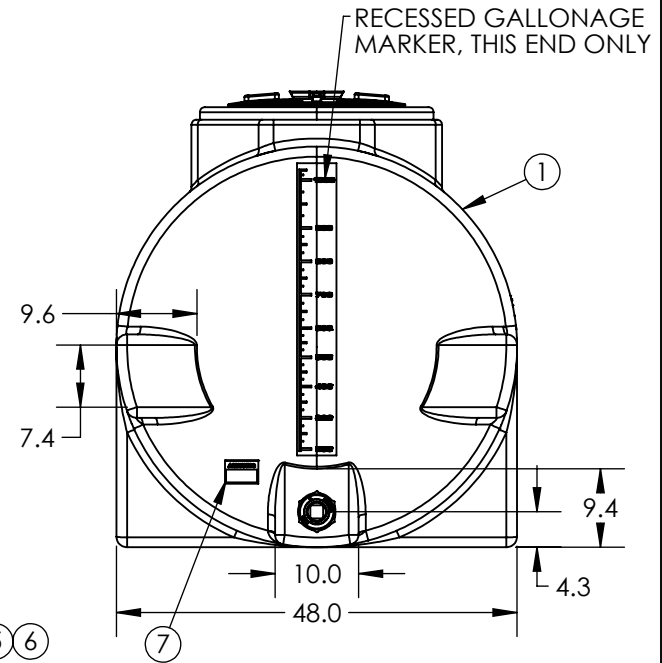
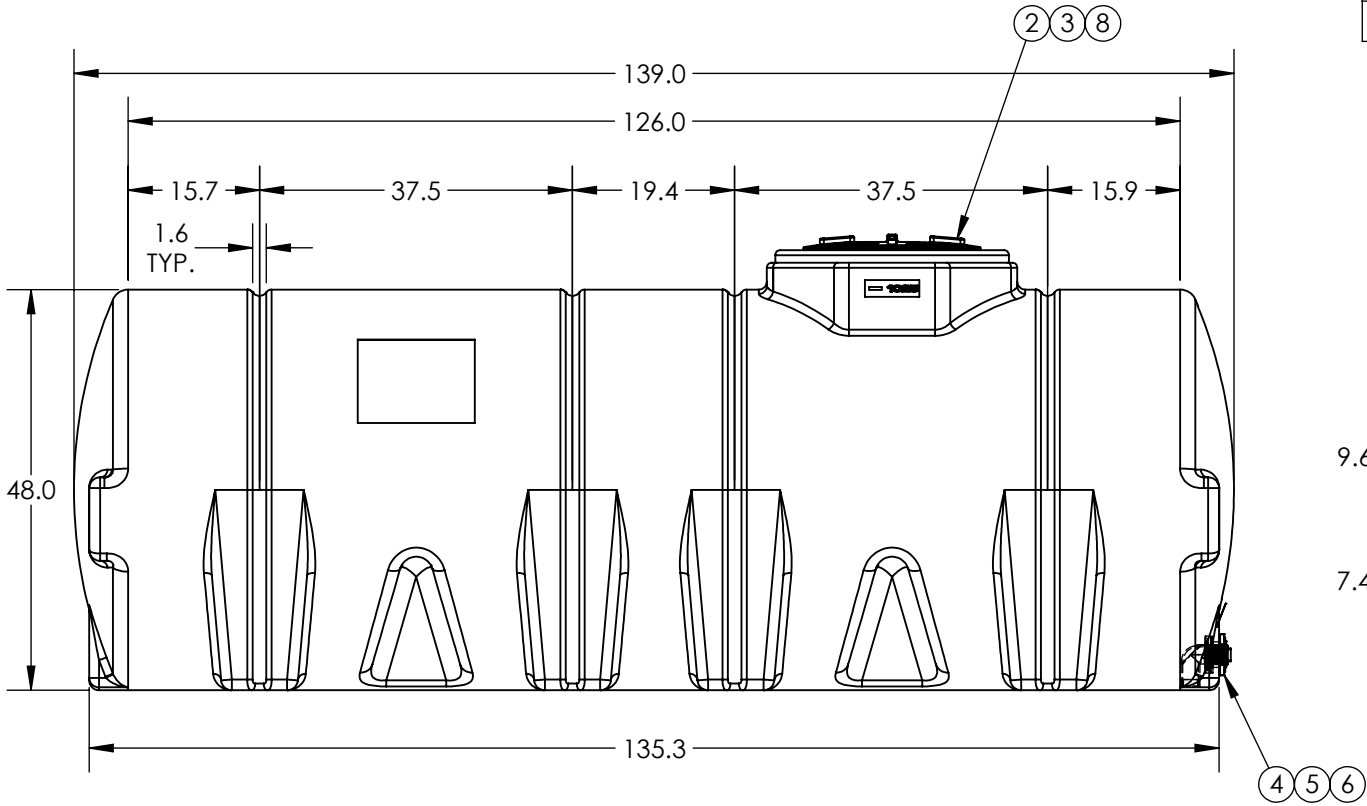


| PN | COLOR |
|-------|-------------------|
| 32040 | REGRIND BLACK 1.5 |
| 32042 | NATURAL 1.5 |
| 32044 | REGRIND BLACK 1.9 |
| 32046 | NATURAL 1.9 |
| 32469 | NATURAL 1.7 |



| | | | |
|---|---|-------|------------------------------|
| 8 | 1 | 61848 | DECAL AG WARNING - LARGE |
| 7 | 1 | 61847 | DECAL AG WARNING - SMALL |
| 6 | 1 | 60021 | 2" NPT PLUG |
| 5 | 1 | 60335 | SIPHON TUBE PP 2IN X 3-3/4LG |
| 4 | 1 | 63683 | FTG 2IN HD BH PP/EPDM |
| 3 | 8 | 60081 | SCREW #9 X 1" SS 5"-22" LID |
| 2 | 1 | 64448 | MANWAY 20IN W/VENT R |
| 1 | 1 | 30362 | 1025 HORIZ LEG R |

| ITEM NO. | QTY. | PART NUMBER | DESCRIPTION |
|---|------|-------------------------|---------------------------------|
| DO NOT SCALE | | DRAWN BY | REVISION |
| STATUS: Released | | KB | A |
| © SNYDER INDUSTRIES, LLC, 2020 | | | TITLE: 1025 HORIZ LEG WF |
| ALL DIMENSIONS, DESIGNS, AND INFORMATION ON THIS PRINT MUST BE CONSIDERED PROPRIETARY TO SNYDER INDUSTRIES, LLC, AND MAY NOT BE USED, COPIED, OR DISTRIBUTED WITHOUT WRITTEN PERMISSION OF AN OFFICER (OR HIS AGENT) OF THE FIRM. | | | REVISION SHEET 1 OF 1 |
| PART NO. SEE CHART | | ENG. ID. A019209 | |

*ALL EXTERNAL PIPING MUST BE INDEPENDENTLY SUPPORTED.
 *ONLY BASE FITTINGS TO BE LEFT INSTALLED AT TIME OF SHIPMENT PER SII PROCEDURE.
 ALL DIMENSIONS ARE IN INCHES, NOMINAL, & SUBJECT TO CHANGE WITHOUT NOTICE.
 ALL DIMENSIONS ON ROTATIONAL MOLDED PARTS ARE SUBJECT TO A ± 3% TOLERANCE.

(402) 467-5221
 www.snydernet.com