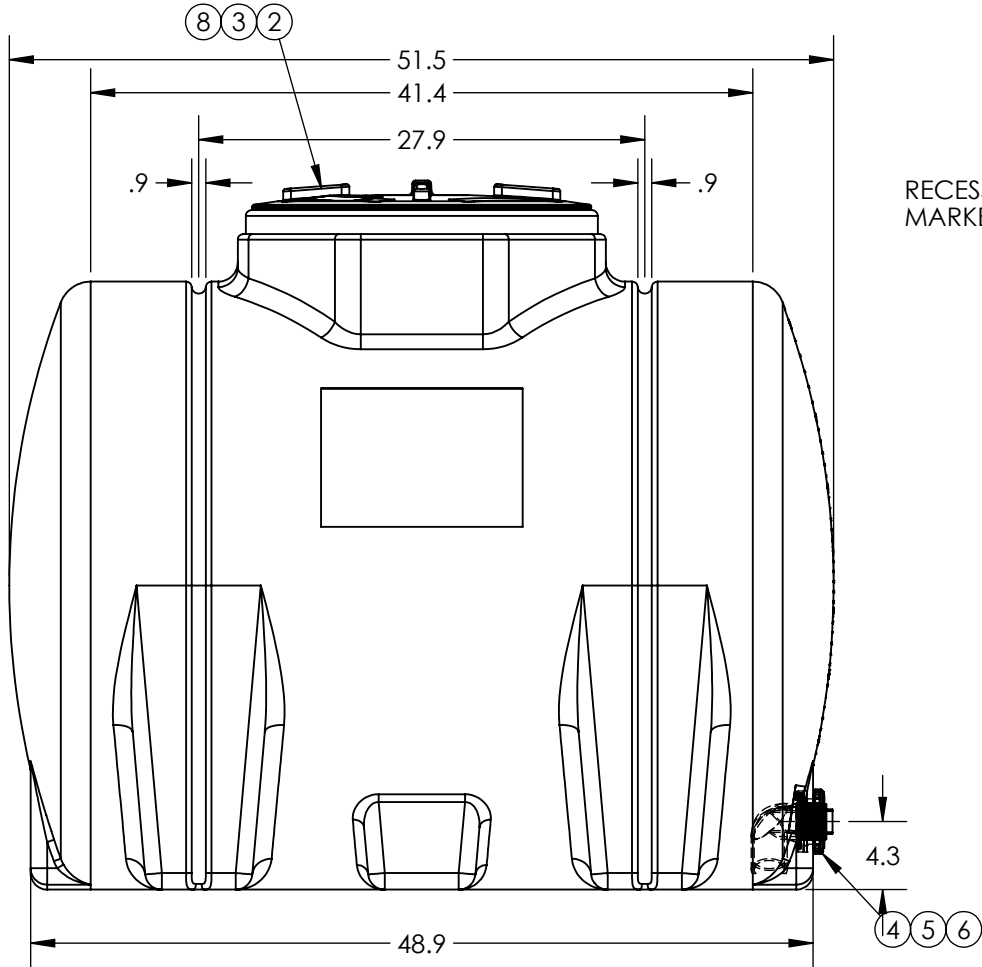
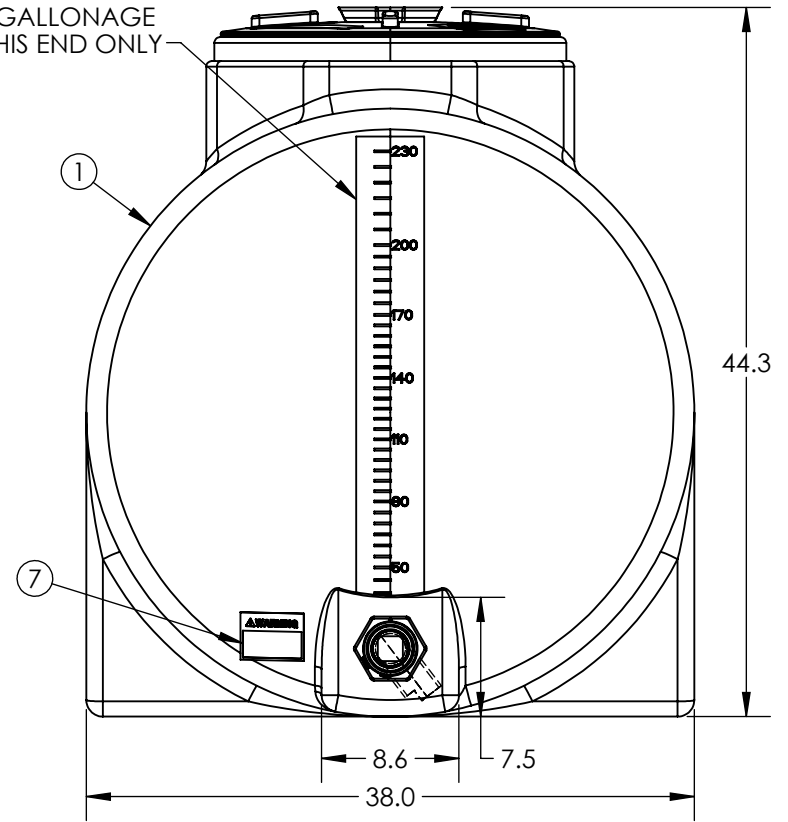


PART NUMBER	TANK COLOR
32190	NATURAL



RECESSED GALLONAGE MARKER, THIS END ONLY



ITEM NO.	QTY.	PART NUMBER	DESCRIPTION
8	1	61848	DECAL AG WARNING - LARGE
7	1	61847	DECAL AG WARNING - SMALL
6	1	60021	2" NPT PLUG
5	1	60335	SIPHON TUBE PP 2IN X 3-3/4LG
4	1	63481	FTG 2IN STD BH PP/EPDM
3	8	60081	SCREW #9 X 1" SS 5"-22" LID
2	1	64448	MANWAY 20IN W/VENT R
1	1	30376-FW	230V X 38 HORIZ LEG R WF FW
DO NOT SCALE		DRAWN BY	TITLE:
Released		KB	230 HORIZ LEG R NAT 1.5 WF
© SNYDER INDUSTRIES, LLC, 2020			REVISION
ALL DIMENSIONS, DESIGNS, AND INFORMATION ON THIS PRINT MUST BE CONSIDERED PROPRIETARY TO SNYDER INDUSTRIES, LLC, AND MAY NOT BE USED, COPIED, OR DISTRIBUTED WITHOUT WRITTEN PERMISSION OF AN OFFICER (OR HIS AGENT) OF THE FIRM.			A
		(402) 467-5221 www.snydernet.com	SHEET 1 OF 1
		PART NO.	ENG. ID.
		SEE CHART	A017595

*ALL EXTERNAL PIPING MUST BE INDEPENDENTLY SUPPORTED.
 *ONLY BASE FITTINGS TO BE LEFT INSTALLED AT TIME OF SHIPMENT PER SII PROCEDURE.
 ALL DIMENSIONS ARE IN INCHES, NOMINAL, & SUBJECT TO CHANGE WITHOUT NOTICE.
 ALL DIMENSIONS ON ROTATIONAL MOLDED PARTS ARE SUBJECT TO A ± 3% TOLERANCE.