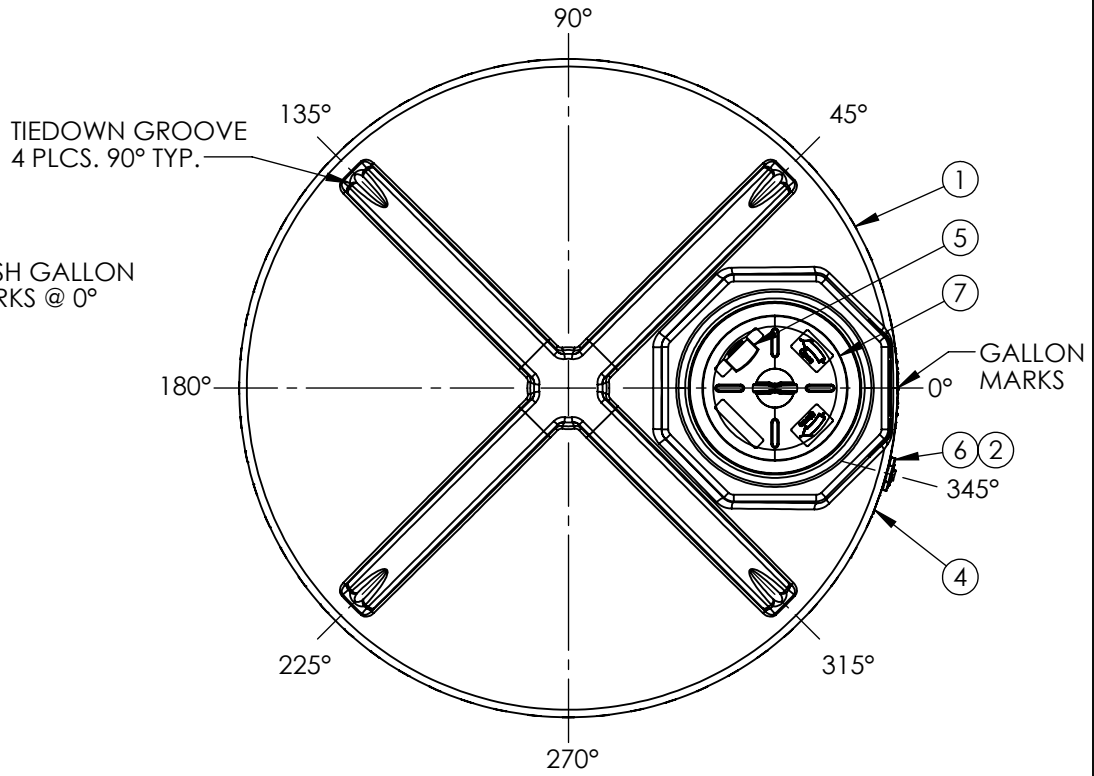
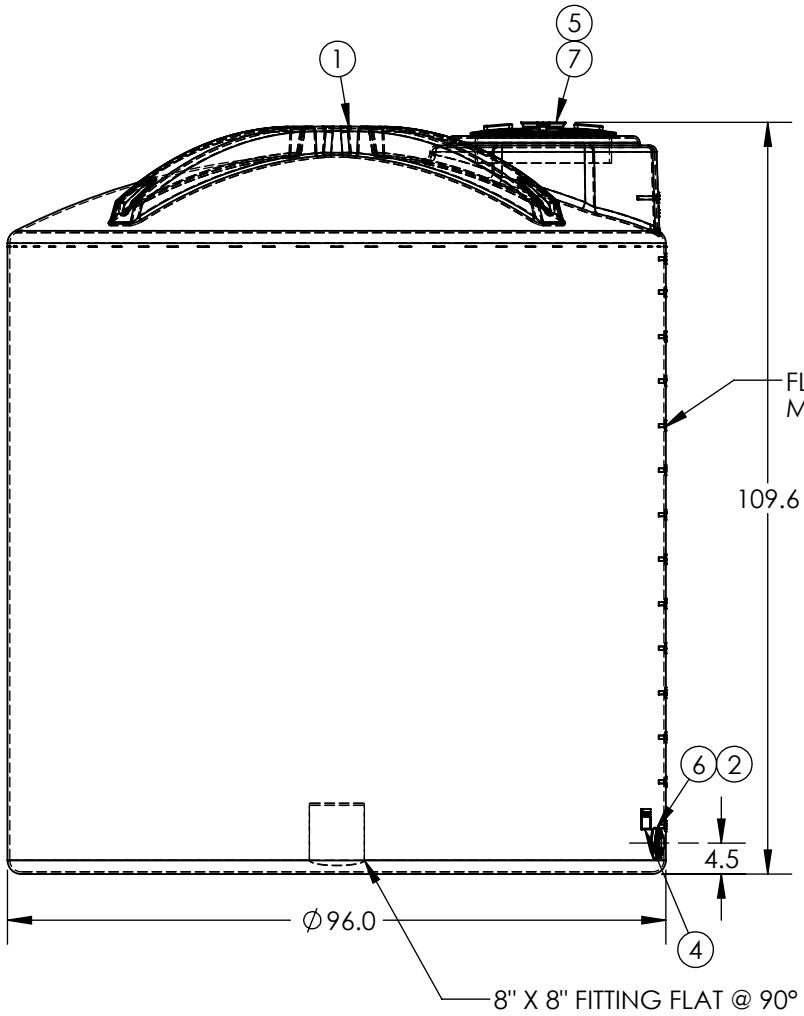


PART NUMBER	TANK COLOR
32267	NATURAL 1.5
32269	BLACK 1.5
32271	BLACK 1.9
32273	NATURAL 1.9
32861	LIGHT BLUE 1.9



***GALLON MARKS CAN BE REMOVED FOR FITTING PLACEMENT AS NECESSARY.**

8	1	60335	SIPHON TUBE PP 2IN X 3-3/4LG
7	1	64448	MANWAY 20IN W/VENT R
6	1	63683	FTG 2IN HD BH PP/EPDM
5	1	61848	DECAL AG WARNING - LARGE
4	1	61847	DECAL AG WARNING - SMALL
3	8	60081	SCREW #9 X 1" SS 5"-22" LID
2	1	60021	2" NPT PLUG
1	1	30347-ME	3000V X 96 RP ME

ITEM NO.	QTY.	PART NUMBER	DESCRIPTION
DO NOT SCALE		DRAWN BY	TITLE:
STATUS: Released		IGG	3000 X 96 V R WF
© SNYDER INDUSTRIES, LLC, 2020			REVISION A
ALL DIMENSIONS, DESIGNS, AND INFORMATION ON THIS PRINT MUST BE CONSIDERED PROPRIETARY TO SNYDER INDUSTRIES, LLC, AND MAY NOT BE USED, COPIED, OR DISTRIBUTED WITHOUT WRITTEN PERMISSION OF AN OFFICER (OR HIS AGENT) OF THE FIRM.		(402) 467-5221 www.snydernet.com	SHEET 1 OF 1
		PART NO. SEE CHART	ENG. ID. A017081

***ALL EXTERNAL PIPING MUST BE INDEPENDENTLY SUPPORTED.**
***ONLY BASE FITTINGS TO BE LEFT INSTALLED AT TIME OF SHIPMENT PER SII PROCEDURE.**
ALL DIMENSIONS ARE IN INCHES, NOMINAL, & SUBJECT TO CHANGE WITHOUT NOTICE.
ALL DIMENSIONS ON ROTATIONAL MOLDED PARTS ARE SUBJECT TO A ± 3% TOLERANCE.