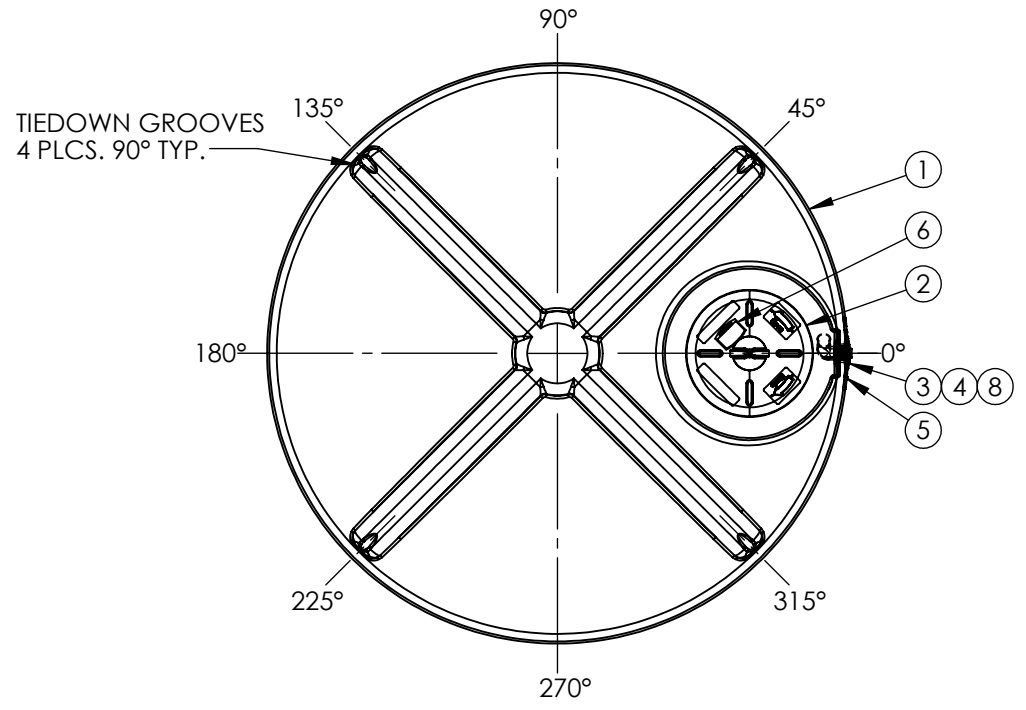
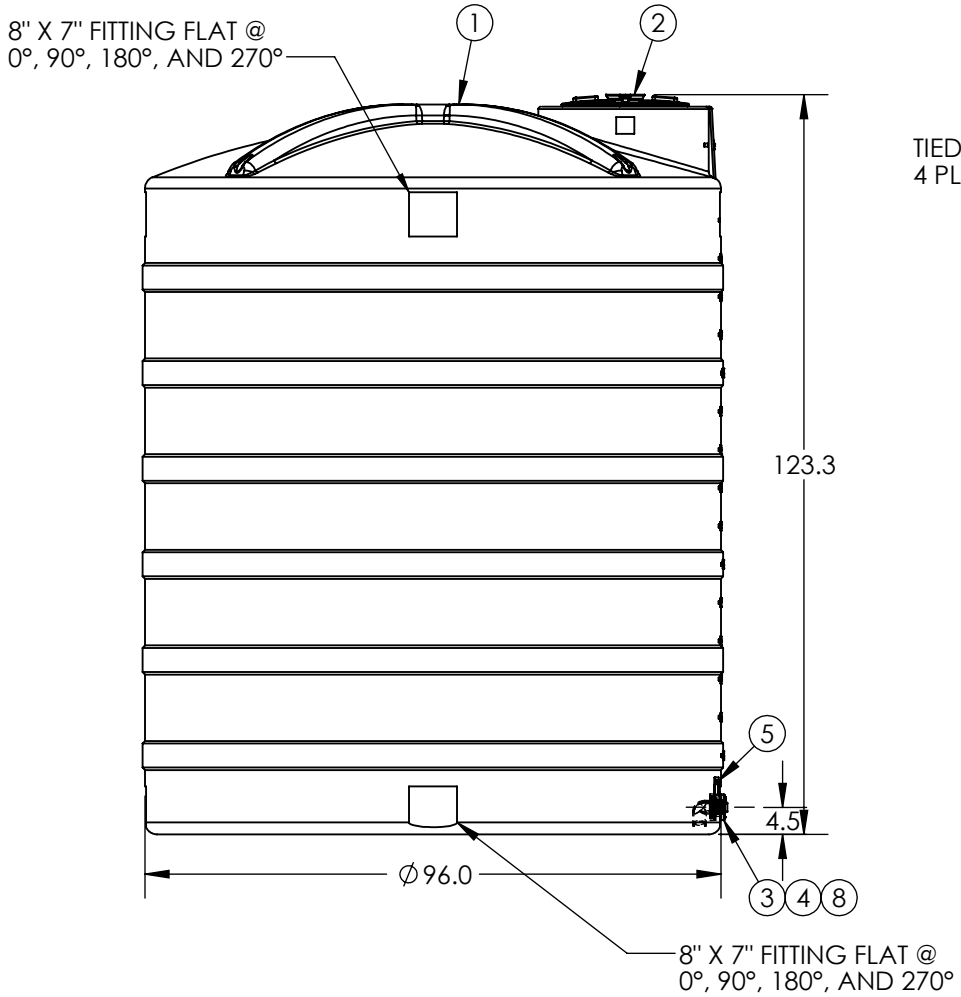


PART NUMBER	TANK COLOR
32288	NATURAL 1.5
32290	BLACK 1.5
32292	NATURAL 1.9



8	1	60335	SIPHON TUBE PP 2IN X 3-3/4LG
7	8	60081	SCREW #9 X 1" SS 5"-22" LID
6	1	61848	DECAL AG WARNING - LARGE
5	1	61847	DECAL AG WARNING - SMALL
4	1	60021	2" NPT PLUG
3	1	63683	FTG 2IN HD BH PP/EPDM
2	1	64448	MANWAY 20IN W/VENT R
1	1	30355-ME	3500V X 96 RP ME

ITEM NO.	QTY.	PART NUMBER	DESCRIPTION
DO NOT SCALE		DRAWN BY	REVISION
STATUS: Released		IGG	A
© SNYDER INDUSTRIES, LLC, 2019			TITLE: 3500 V R WF
ALL DIMENSIONS, DESIGNS, AND INFORMATION ON THIS PRINT MUST BE CONSIDERED PROPRIETARY TO SNYDER INDUSTRIES, LLC, AND MAY NOT BE USED, COPIED, OR DISTRIBUTED WITHOUT WRITTEN PERMISSION OF AN OFFICER (OR HIS AGENT) OF THE FIRM.			SHEET 1 OF 1 REVISION A
(402) 467-5221 www.snydernet.com		PART NO. SEE CHART ENG. ID. A016995	

*ALL EXTERNAL PIPING MUST BE INDEPENDENTLY SUPPORTED.
 *ONLY BASE FITTINGS TO BE LEFT INSTALLED AT TIME OF SHIPMENT PER SII PROCEDURE.
 ALL DIMENSIONS ARE IN INCHES, NOMINAL, & SUBJECT TO CHANGE WITHOUT NOTICE.
 ALL DIMENSIONS ON ROTATIONAL MOLDED PARTS ARE SUBJECT TO A ± 3% TOLERANCE.