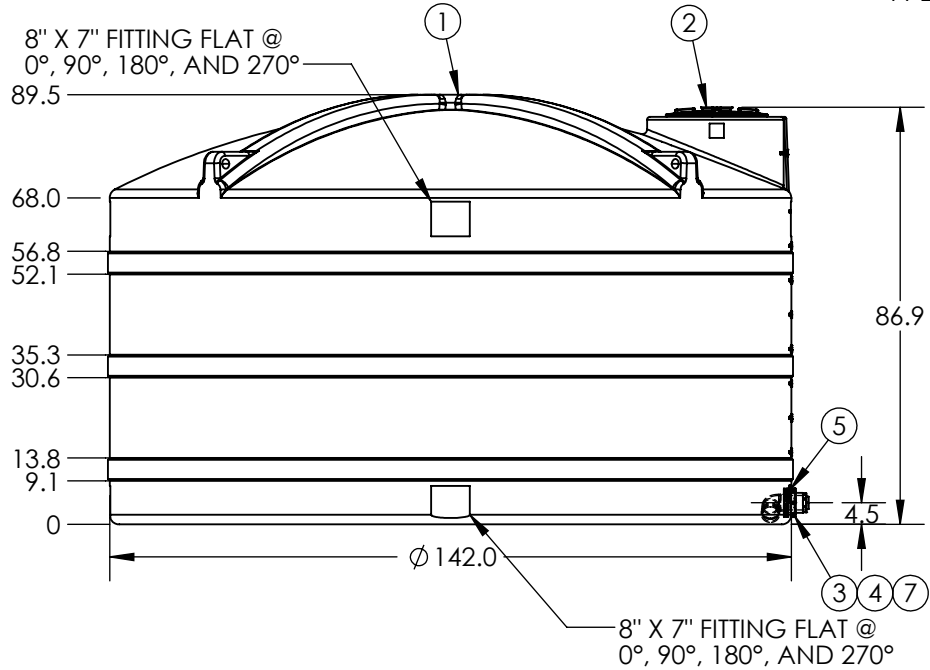
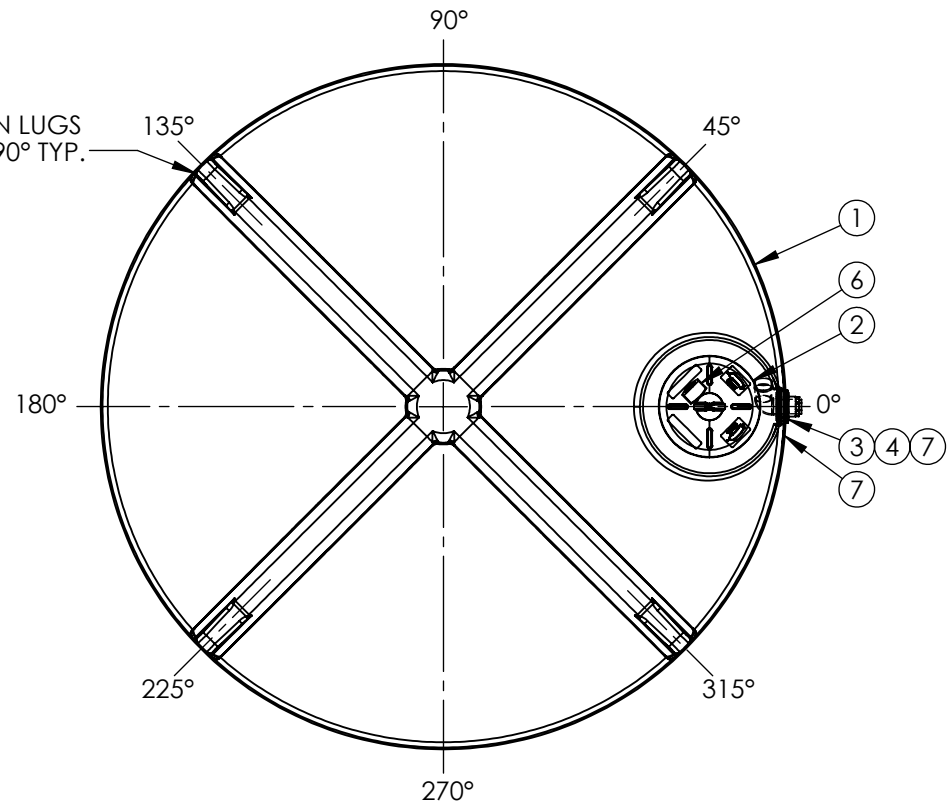


PART NUMBER	TANK COLOR
32376	NATURAL 1.5
32386	BLACK 1.5
32388	NATURAL 1.9
32390	BLACK 1.9



TIEDOWN LUGS  
4 PLCS. 90° TYP.



\*FITTINGS ARE CENTERED IN BOTTOM FITTING FLATS & FITTING HEIGHTS MAY VARY.  
 \*ALL EXTERNAL PIPING MUST BE INDEPENDENTLY SUPPORTED.  
 \*ONLY BASE FITTINGS TO BE LEFT INSTALLED AT TIME OF SHIPMENT PER SII PROCEDURE.  
 ALL DIMENSIONS ARE IN INCHES, NOMINAL, & SUBJECT TO CHANGE WITHOUT NOTICE.  
 ALL DIMENSIONS ON ROTATIONAL MOLDED PARTS ARE SUBJECT TO A ± 3% TOLERANCE.

7	1	60327	SIPHON TUBE 3 X 5-1/2 PP
6	1	61848	DECAL AG WARNING - LARGE
5	1	61847	DECAL AG WARNING - SMALL
4	1	60330	REDUCER BUSHING PP 3IN X 2IN
3	1	62299	FTG PP 3IN BH EPDM TXT
2	1	64448	MANWAY 20IN W/VENT R
1	1	30357-FW	5000V X 142 RP

ITEM NO.	PART NUMBER	DESCRIPTION
DO NOT SCALE		DRAWN BY
Released		IGG
© SNYDER INDUSTRIES, LLC, 2020		
ALL DIMENSIONS, DESIGNS, AND INFORMATION ON THIS PRINT MUST BE CONSIDERED PROPRIETARY TO SNYDER INDUSTRIES, LLC, AND MAY NOT BE USED, COPIED, OR DISTRIBUTED WITHOUT WRITTEN PERMISSION OF AN OFFICER (OR HIS AGENT) OF THE FIRM.		(402) 467-5221 www.snydernet.com
TITLE:		REVISION
5100 X 142 V R WF		B
PART NO.		SHEET
SEE CHART		1 OF 1
ENG. ID.		A016971