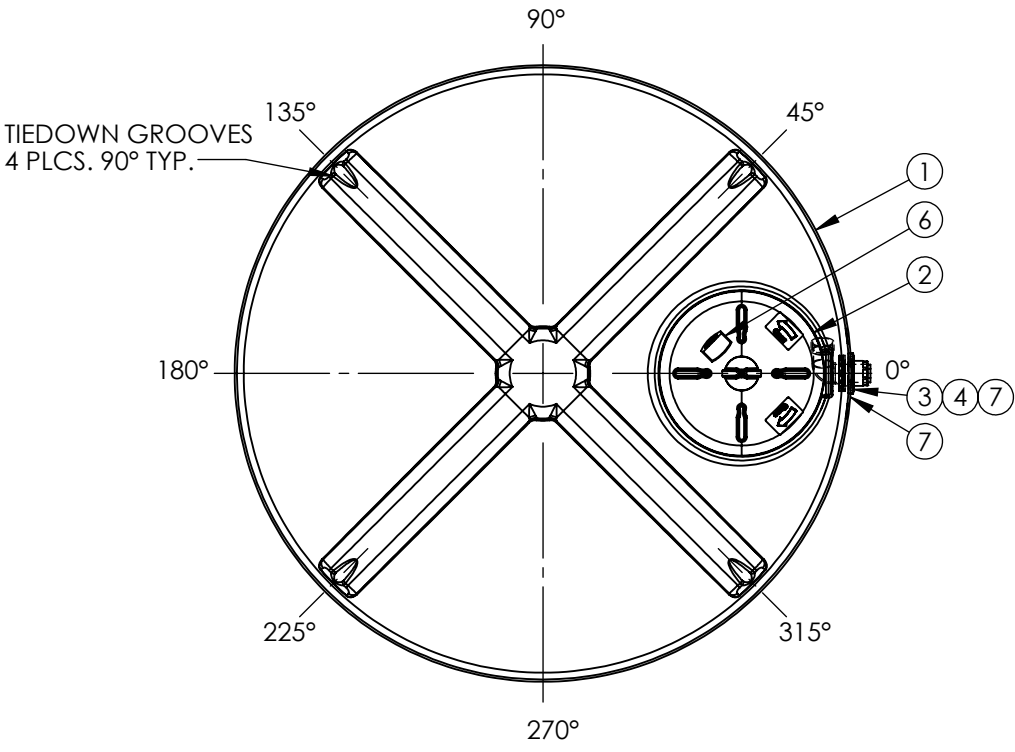
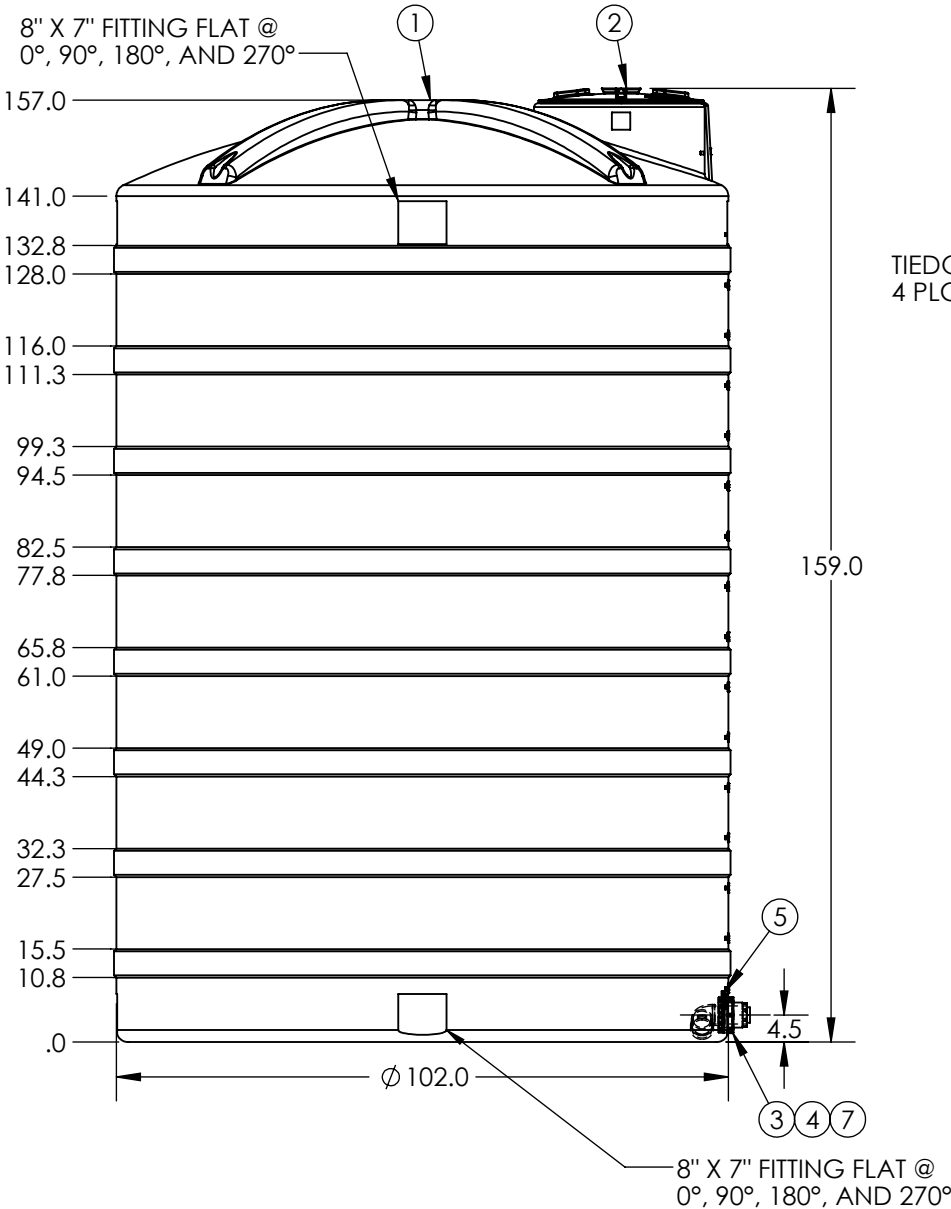


PART NUMBER	TANK COLOR
32372	NATURAL 1.5
32374	BLACK 1.5
32378	NATURAL 1.9
32380	BLACK 1.9



7	1	60327	SIPHON TUBE 3 X 5-1/2 PP
6	1	61848	DECAL AG WARNING - LARGE
5	1	61847	DECAL AG WARNING - SMALL
4	1	60330	REDUCER BUSHING PP 3IN X 2IN
3	1	62299	FTG PP 3IN BH EPDM TXT
2	1	64443	MANWAY 26IN W/VENT R
1	1	30351-ME	5000V X 102 RP

*FITTINGS ARE CENTERED IN BOTTOM FITTING FLATS & FITTING HEIGHTS MAY VARY.
 *ALL EXTERNAL PIPING MUST BE INDEPENDENTLY SUPPORTED.
 *ONLY BASE FITTINGS TO BE LEFT INSTALLED AT TIME OF SHIPMENT PER SII PROCEDURE.
 ALL DIMENSIONS ARE IN INCHES, NOMINAL, & SUBJECT TO CHANGE WITHOUT NOTICE.
 ALL DIMENSIONS ON ROTATIONAL MOLDED PARTS ARE SUBJECT TO A ± 3% TOLERANCE.

ITEM NO.	PART NUMBER	DESCRIPTION
DO NOT SCALE		DRAWN BY
Released		IGG
© SNYDER INDUSTRIES, LLC, 2020		
STATUS:		REVISION
Released		B
TITLE:		SHEET
5100 X 102 V R WF		1 OF 1
PART NO.		ENG. ID.
SEE CHART		A016967
(402) 467-5221 www.snydernet.com		