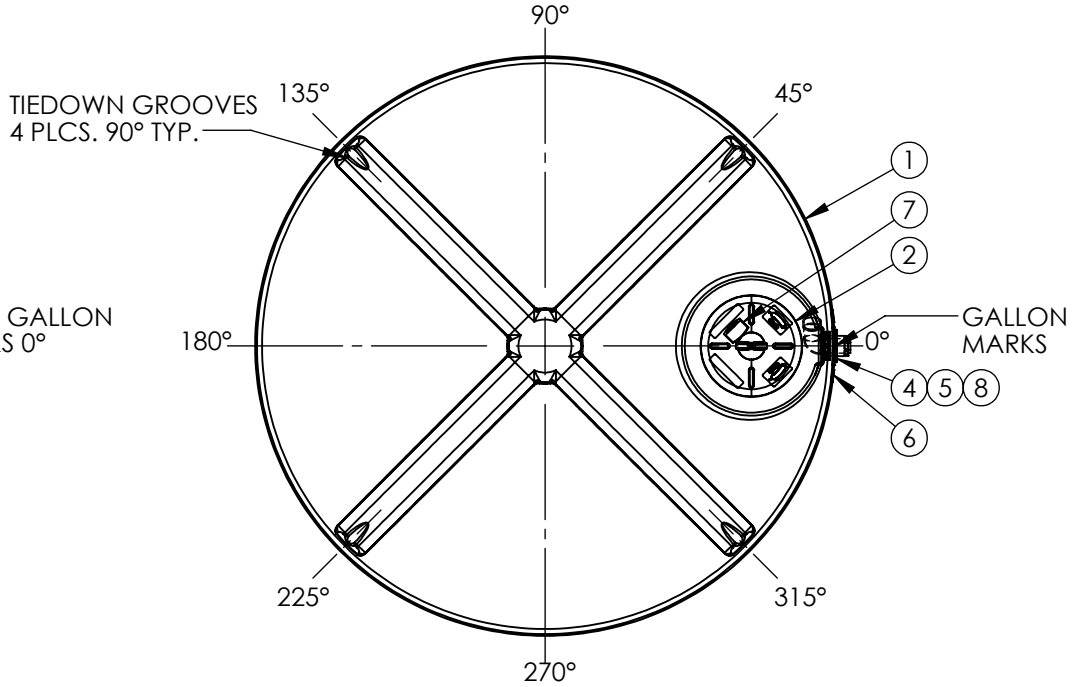
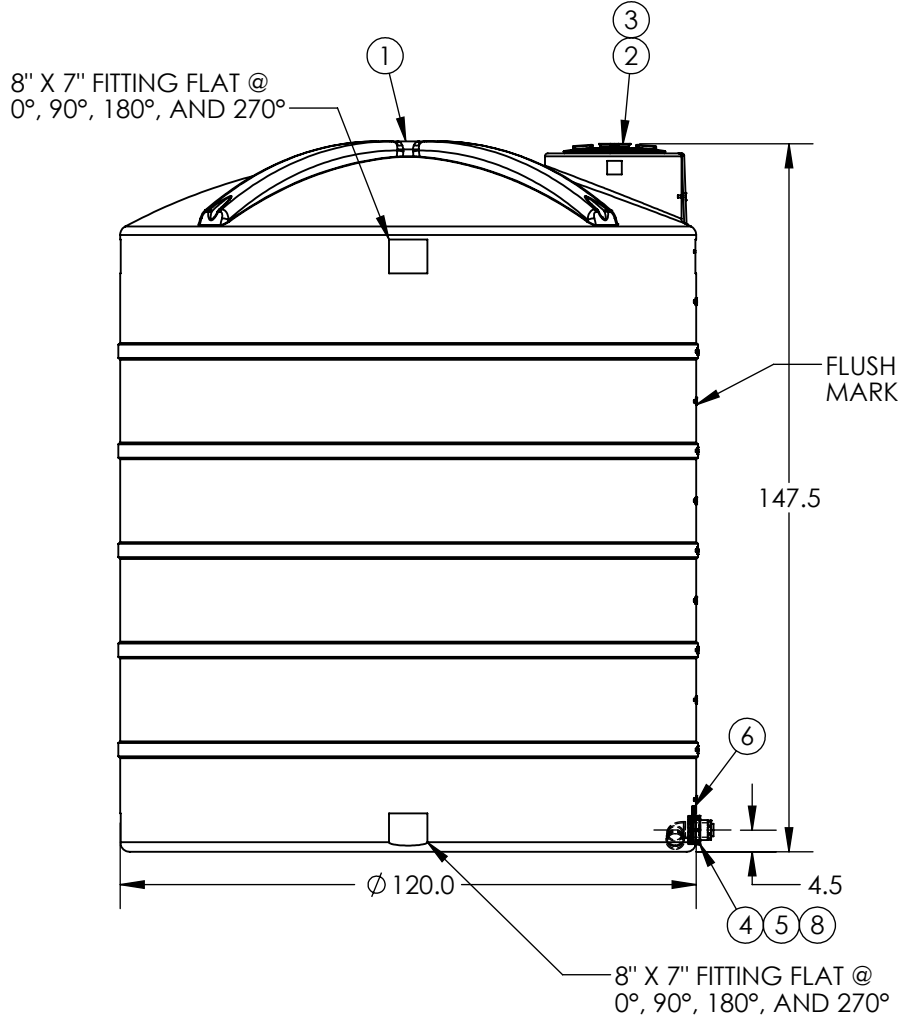


PART NUMBER	TANK COLOR
32421	NATURAL 1.5
32423	BLACK 1.5
32425	NATURAL 1.9
32427	BLACK 1.5



*GALLON MARKS CAN BE REMOVED FOR FITTING PLACEMENT AS NEEDED.

8	1	60327	SIPHON TUBE 3 X 5-1/2 PP
7	1	61848	DECAL AG WARNING - LARGE
6	1	61847	DECAL AG WARNING - SMALL
5	1	60330	REDUCER BUSHING PP 3IN X 2IN
4	1	62299	FTG PP 3IN BH EPDM TXT
3	8	60081	SCREW #9 X 1" SS 5"-22" LID
2	1	64448	MANWAY 18IN W/VENT R
1	1	30352-ME	6500V X 120 RP ME

ITEM NO.	PART NUMBER	DESCRIPTION
DO NOT SCALE		DRAWN BY
Released		IGG
© SNYDER INDUSTRIES, LLC, 2019		
TITLE:		6500 V R WF
REVISION		A
SHEET		1 OF 1
PART NO.		SEE CHART
ENG. ID.		A016955
<small>ALL DIMENSIONS, DESIGNS, AND INFORMATION ON THIS PRINT MUST BE CONSIDERED PROPRIETARY TO SNYDER INDUSTRIES, LLC, AND MAY NOT BE USED, COPIED, OR DISTRIBUTED WITHOUT WRITTEN PERMISSION OF AN OFFICER (OR HIS AGENT) OF THE FIRM.</small>		
(402) 467-5221 www.snyderinet.com		

*ALL EXTERNAL PIPING MUST BE INDEPENDENTLY SUPPORTED.
 *ONLY BASE FITTINGS TO BE LEFT INSTALLED AT TIME OF SHIPMENT PER SII PROCEDURE.
 ALL DIMENSIONS ARE IN INCHES, NOMINAL, & SUBJECT TO CHANGE WITHOUT NOTICE.
 ALL DIMENSIONS ON ROTATIONAL MOLDED PARTS ARE SUBJECT TO A ± 3% TOLERANCE.