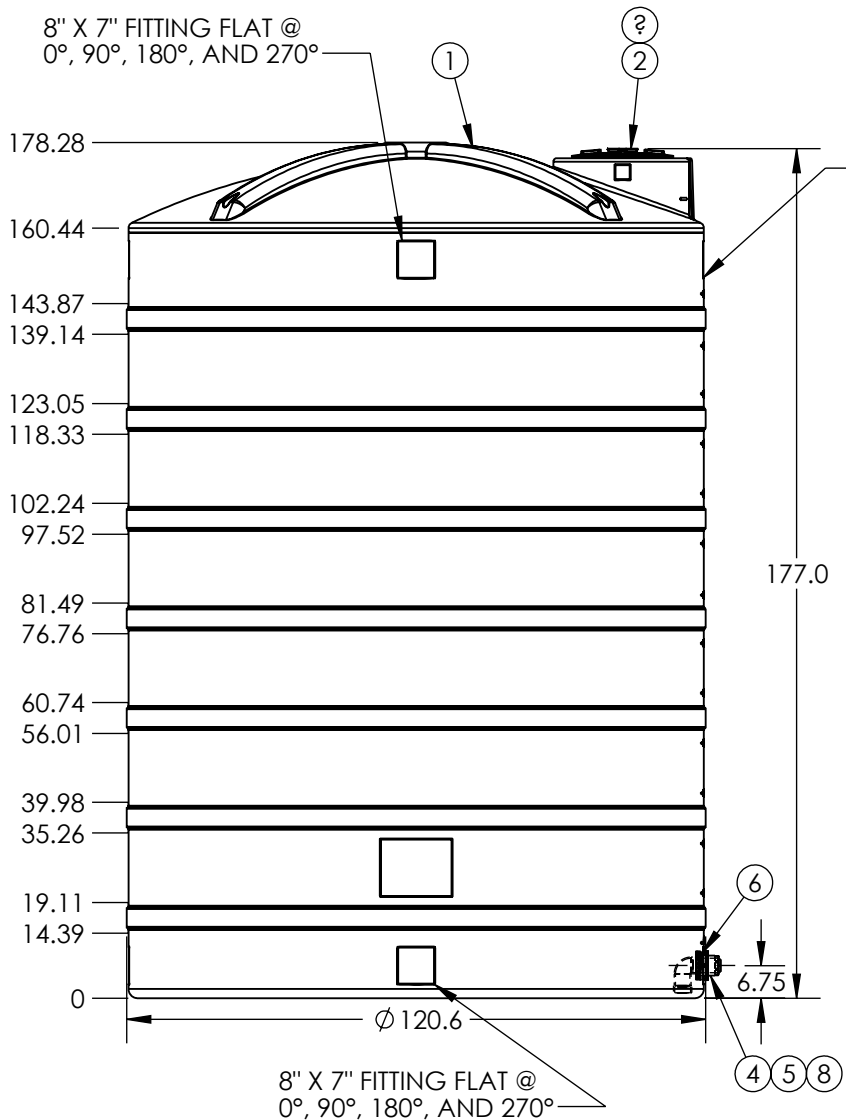
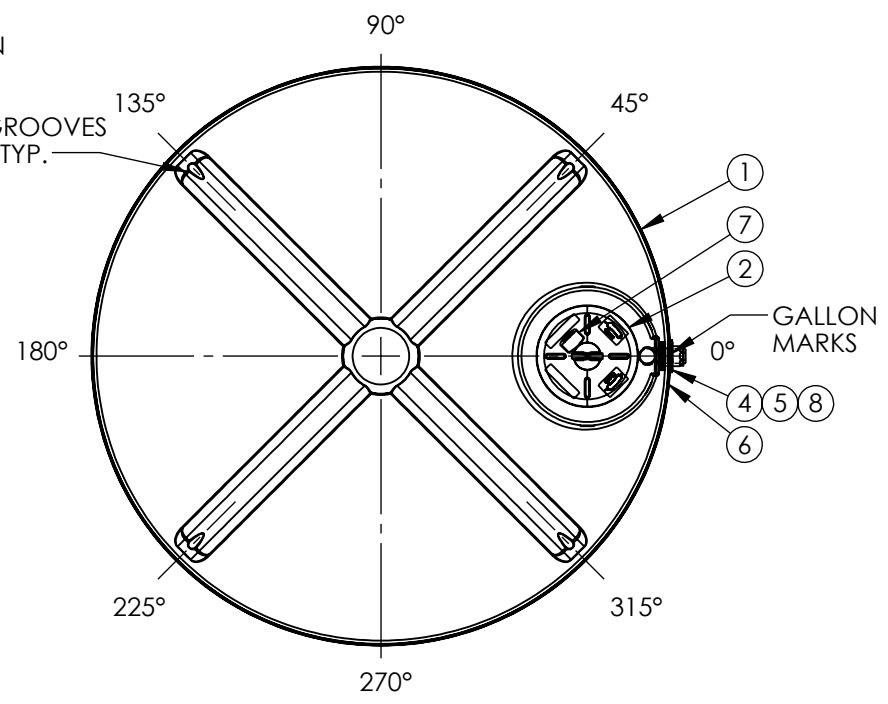


PART NUMBER	TANK COLOR
32455	NATURAL 1.5
32457	BLACK 1.5
32459	NATURAL 1.9
32461	BLACK 1.9



FLUSH GALLON MARKS @ 0°

TIEDOWN GROOVES
4 PLCS. 90° TYP.



*GALLONAGE MARKS CAN BE REMOVED FOR FITTING PLACEMENT AS NECESSARY.

8	1	60327	SIPHON TUBE 3 X 5-1/2 PP
7	1	61848	DECAL AG WARNING - LARGE
6	1	61847	DECAL AG WARNING - SMALL
5	1	60330	REDUCER BUSHING PP 3IN X 2IN
4	1	62299	FTG PP 3IN BH EPDM TXT
3	8	60081	SCREW #9 X 1" SS 5"-22" LID
2	1	64448	MANWAY 20IN W/VENT R
1	1	30356	8000V X 120 RP ME

ITEM NO.	PART NUMBER	DESCRIPTION
DO NOT SCALE		DRAWN BY
Released		IGG
© TANK HOLDING, CORP, 2022		
STATUS:		TITLE:
		8000 V R WF
ALL DIMENSIONS, DESIGNS, AND INFORMATION ON THIS PRINT MUST BE CONSIDERED PROPRIETARY TO TANK HOLDING, CORP. AND MAY NOT BE USED, COPIED, OR DISTRIBUTED WITHOUT WRITTEN PERMISSION OF AN OFFICER (OR HIS AGENT) OF THE FIRM.		REVISION
		A
		SHEET
		1 OF 1
PART NO.		ENG. ID.
SEE CHART		A016954
www.snydermet.com (402) 467-5221		

*ALL EXTERNAL PIPING MUST BE INDEPENDENTLY SUPPORTED.
 *ONLY BASE FITTINGS TO BE LEFT INSTALLED AT TIME OF SHIPMENT PER SII PROCEDURE.
 ALL DIMENSIONS ARE IN INCHES, NOMINAL, & SUBJECT TO CHANGE WITHOUT NOTICE.
 ALL DIMENSIONS ON ROTATIONAL MOLDED PARTS ARE SUBJECT TO A ± 3% TOLERANCE.