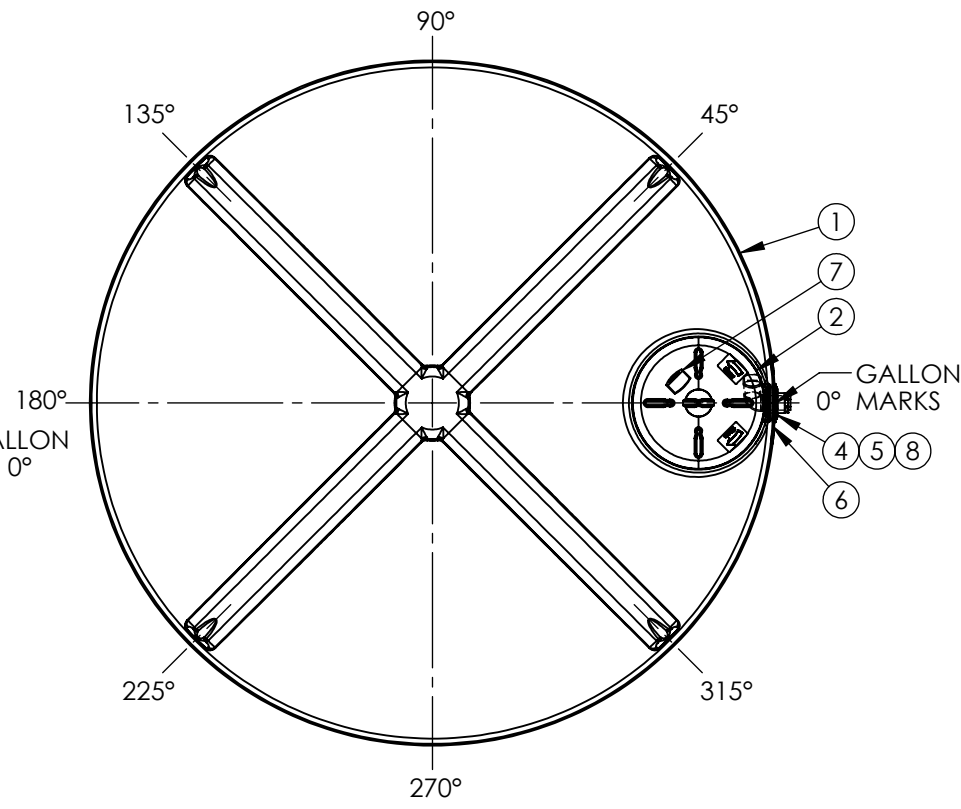
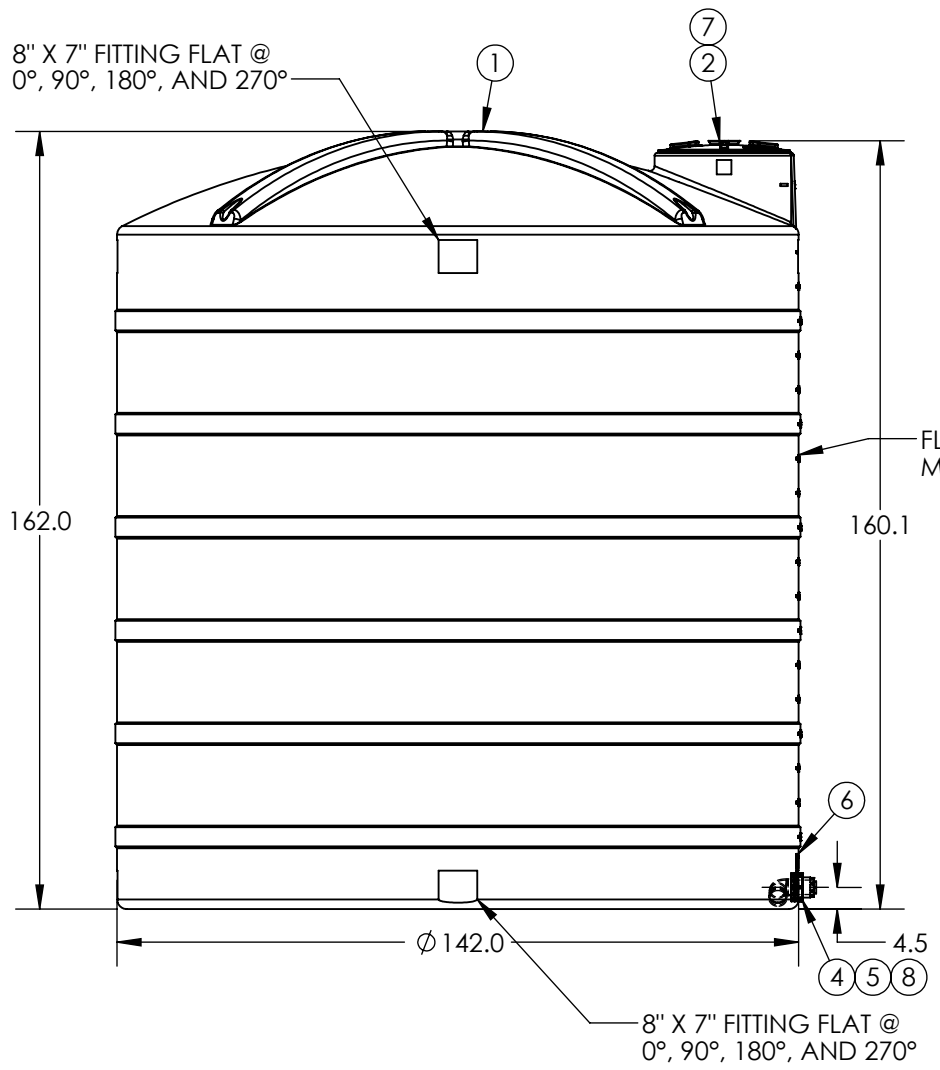


PART NUMBER	TANK COLOR
32024	BLACK 1.5
32026	NATURAL 1.5
32028	NATURAL 1.9
32030	BLACK 1.9



***GALLON MARKS CAN BE REMOVED FOR FITTING PLACEMENT AS NECESSARY.**

8	1	60327	SIPHON TUBE 3 X 5-1/2 PP
7	1	61848	DECAL AG WARNING - LARGE
6	1	61847	DECAL AG WARNING - SMALL
5	1	60330	REDUCER BUSHING PP 3IN X 2IN
4	1	62299	FTG PP 3IN BH EPDM TXT
3	8	60081	SCREW #9 X 1" SS 5"-22" LID
2	1	64443	MANWAY 26IN W/VENT R
1	1	30375-ME	10000V X 140 RP ME

***ALL EXTERNAL PIPING MUST BE INDEPENDENTLY SUPPORTED.**
***ONLY BASE FITTINGS TO BE LEFT INSTALLED AT TIME OF SHIPMENT PER SII PROCEDURE.**
ALL DIMENSIONS ARE IN INCHES, NOMINAL, & SUBJECT TO CHANGE WITHOUT NOTICE.
ALL DIMENSIONS ON ROTATIONAL MOLDED PARTS ARE SUBJECT TO A ± 3% TOLERANCE.

ITEM NO.	PART NUMBER	DESCRIPTION
DO NOT SCALE		DRAWN BY
Released		IGG
© SNYDER INDUSTRIES, LLC, 2019		
TITLE:		10000 V R WF
REVISION		A
SHEET		1 OF 1
PART NO.		SEE CHART
ENG. ID.		A016947
ALL DIMENSIONS, DESIGNS, AND INFORMATION ON THIS PRINT MUST BE CONSIDERED PROPRIETARY TO SNYDER INDUSTRIES, LLC, AND MAY NOT BE USED, COPIED, OR DISTRIBUTED WITHOUT WRITTEN PERMISSION OF AN OFFICER (OR HIS AGENT) OF THE FIRM.		
(402) 467-5221 www.snydernet.com		