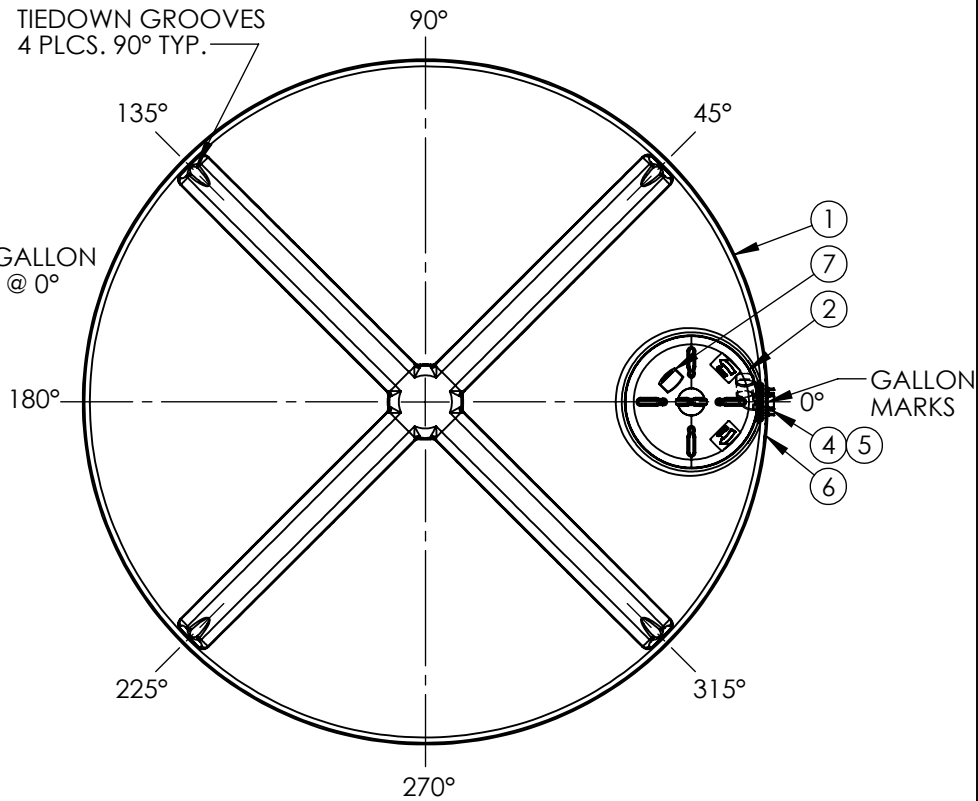
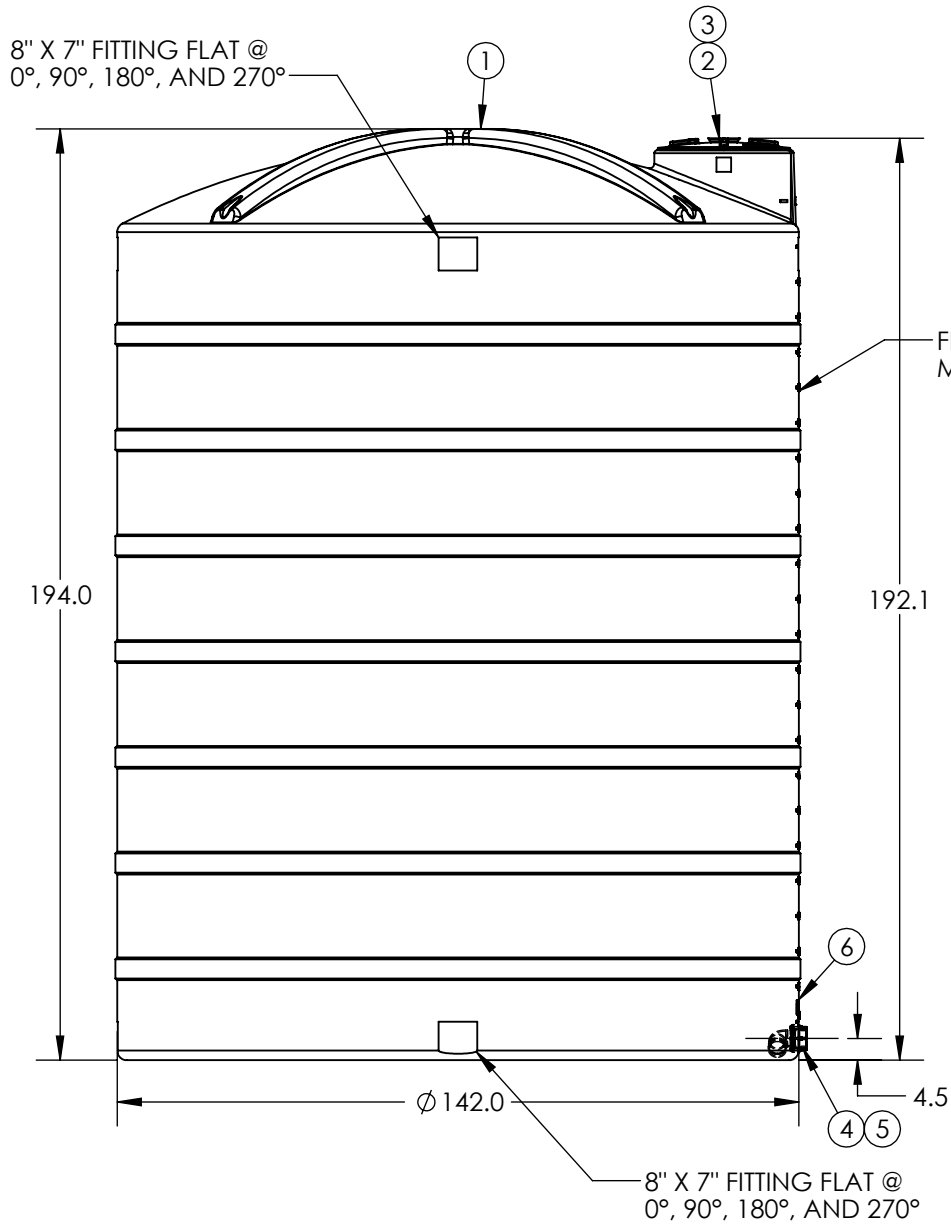


PART NUMBER	TANK COLOR
32074	NATURAL 1.5
32485	BLACK 1.5



*GALLON MARKS CAN BE REMOVED FOR FITTING PLACEMENT AS NECESSARY.

7	1	61848	DECAL AG WARNING - LARGE
6	1	61847	DECAL AG WARNING - SMALL
5	1	60327	SIPHON TUBE 3 X 5-1/2 PP
4	1	34701598	ASM 3IN BLTD FTG 316SS EPDM
3	8	60081	SCREW #9 X 1" SS 5"-22" LID
2	1	64443	MANWAY 26IN W/VENT R
1	1	30373-ME	12000V X 142 RP ME

***ALL EXTERNAL PIPING MUST BE INDEPENDENTLY SUPPORTED.**
***ONLY BASE FITTINGS TO BE LEFT INSTALLED AT TIME OF SHIPMENT PER SII PROCEDURE.**
ALL DIMENSIONS ARE IN INCHES, NOMINAL, & SUBJECT TO CHANGE WITHOUT NOTICE.
ALL DIMENSIONS ON ROTATIONAL MOLDED PARTS ARE SUBJECT TO A ± 3% TOLERANCE.

<table border="1"> <tr> <td>ITEM NO.</td> <td>QTY.</td> <td>PART NUMBER</td> <td>DESCRIPTION</td> </tr> </table>	ITEM NO.	QTY.	PART NUMBER	DESCRIPTION	<table border="1"> <tr> <td>DO NOT SCALE</td> <td>DRAWN BY</td> <td>TITLE:</td> <td>REVISION</td> </tr> <tr> <td>Released</td> <td>IGG</td> <td>12000 V R WF</td> <td>A</td> </tr> <tr> <td colspan="2">© SNYDER INDUSTRIES, LLC, 2019</td> <td>SEE CHART</td> <td>SHEET 1 OF 1</td> </tr> </table>	DO NOT SCALE	DRAWN BY	TITLE:	REVISION	Released	IGG	12000 V R WF	A	© SNYDER INDUSTRIES, LLC, 2019		SEE CHART	SHEET 1 OF 1
ITEM NO.	QTY.	PART NUMBER	DESCRIPTION														
DO NOT SCALE	DRAWN BY	TITLE:	REVISION														
Released	IGG	12000 V R WF	A														
© SNYDER INDUSTRIES, LLC, 2019		SEE CHART	SHEET 1 OF 1														
<small>ALL DIMENSIONS, DESIGNS, AND INFORMATION ON THIS PRINT MUST BE CONSIDERED PROPRIETARY TO SNYDER INDUSTRIES, LLC, AND MAY NOT BE USED, COPIED, OR DISTRIBUTED WITHOUT WRITTEN PERMISSION OF AN OFFICER (OR HIS AGENT) OF THE FIRM.</small>	(402) 467-5221 www.snydernet.com	PART NO.	ENG. ID.														
		SEE CHART	A016943														