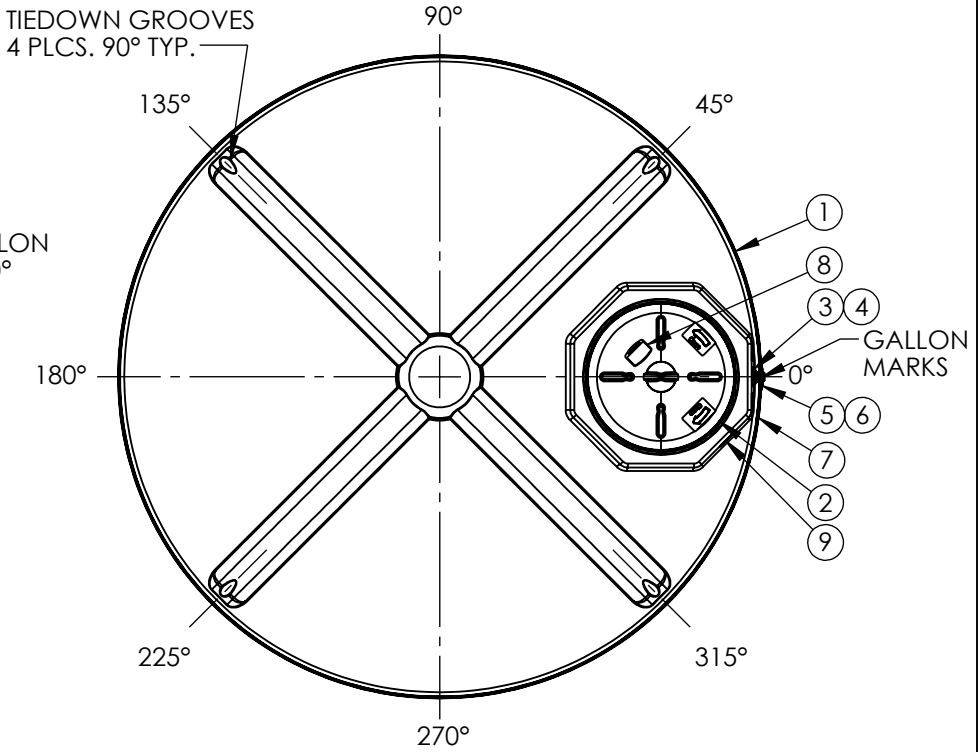
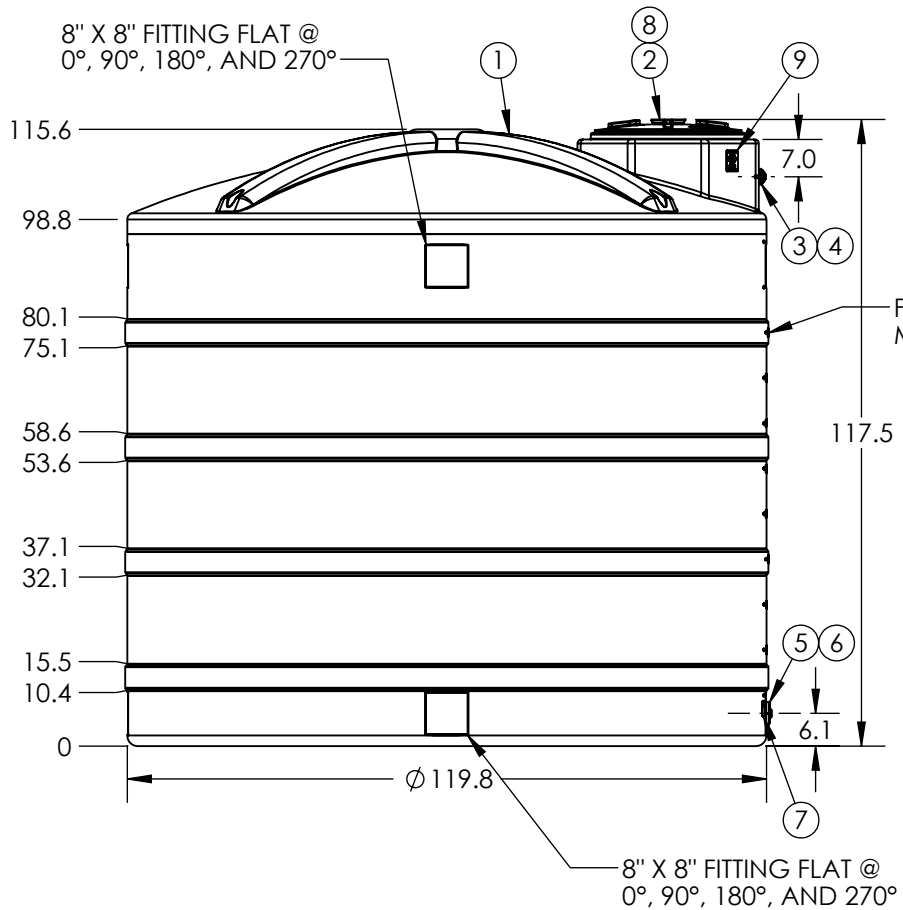


PART NUMBER	TANK COLOR
32368	BLACK
32370	GREEN



*GALLON MARKS CAN BE REMOVED FOR FITTING PLACEMENT AS NECESSARY.

9	1	99700231	DECAL NSF MARK - WATER TKS
8	1	61848	DECAL AG WARNING - LARGE
7	1	61847	DECAL AG WARNING - SMALL
6	1	60021	2" NPT PLUG
5	1	63683	FTG 2IN HD BH PP/EPDM
4	1	64149	1-1/2" NPT PLUG
3	1	63931	FTG PP 1-1/2IN ECO-BH EPDM TXT
2	1	64443	MANWAY 26IN W/VENT R
1	1	30350	5000V X 119 RP FW

*FITTINGS ARE CENTERED IN BOTTOM FITTING FLATS & FITTING HEIGHTS MAY VARY.
 *ALL EXTERNAL PIPING MUST BE INDEPENDENTLY SUPPORTED.
 *ONLY BASE FITTINGS TO BE LEFT INSTALLED AT TIME OF SHIPMENT PER SII PROCEDURE.
 ALL DIMENSIONS ARE IN INCHES, NOMINAL, & SUBJECT TO CHANGE WITHOUT NOTICE.
 ALL DIMENSIONS ON ROTATIONAL MOLDED PARTS ARE SUBJECT TO A ± 3% TOLERANCE.

DO NOT SCALE Released © TANK HOLDING, CORP, 2022	DRAWN BY IGG	 A BRAND OF TANK HOLDING CORP.	TITLE: 5000 X 119 V WATER R WF	REVISION B
ALL DIMENSIONS, DESIGNS, AND INFORMATION ON THIS PRINT MUST BE CONSIDERED PROPRIETARY TO TANK HOLDING, CORP. AND MAY NOT BE USED, COPIED, OR DISTRIBUTED WITHOUT WRITTEN PERMISSION OF AN OFFICER (OR HIS AGENT) OF THE FIRM.		(402) 467-5221 www.snydermet.com	PART NO. SEE CHART	ENG. ID. A016743