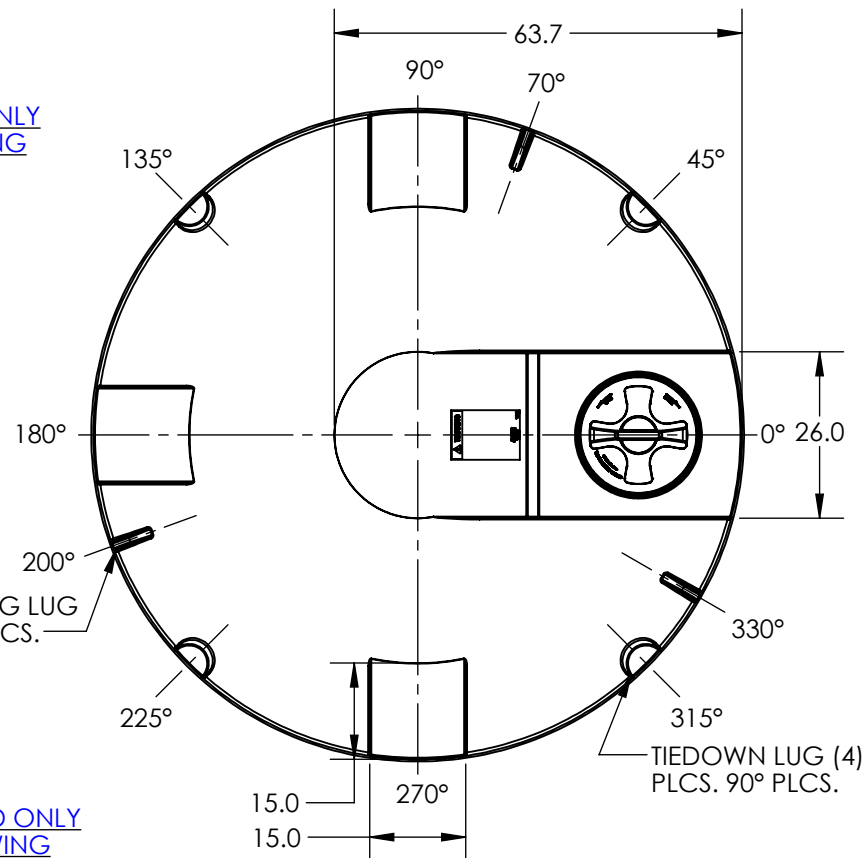


TANK ONLY  
DRAWING

STAND ONLY  
DRAWING

LIFTING LUG  
(3) PLCS.

TIEDOWN LUG (4)  
PLCS. 90° PLCS.



\*ALL EXTERNAL PIPING MUST BE INDEPENDENTLY SUPPORTED.  
 \*ONLY BASE FITTINGS TO BE LEFT INSTALLED AT TIME OF SHIPMENT PER SII PROCEDURE.  
 ALL DIMENSIONS ARE IN INCHES, NOMINAL, & SUBJECT TO CHANGE WITHOUT NOTICE.  
 ALL DIMENSIONS ON ROTATIONAL MOLDED PARTS ARE SUBJECT TO A ± 3% TOLERANCE.

DO NOT SCALE		DRAWN BY	<b>SII</b> SNYDER INDUSTRIES, INC.	TITLE:	<b>3600 GALLON 15° CONE BOTTOM TANK W/ STAND</b>	REVISION
STATUS:	<b>Released</b>	BH		ENG. ID.		<b>A</b>
© SNYDER INDUSTRIES, INC., 2019				PART NO.	<b>8050000C &amp; 62473</b>	SHEET
ALL DIMENSIONS, DESIGNS, AND INFORMATION ON THIS PRINT MUST BE CONSIDERED PROPRIETARY TO SNYDER INDUSTRIES, INC. AND MAY NOT BE USED, COPIED, OR DISTRIBUTED WITHOUT WRITTEN PERMISSION OF AN OFFICER (OR HIS AGENT) OF THE FIRM.				(402) 467-5221 www.snydernet.com	ENG. ID.	1 OF 1
					<b>A014319</b>	