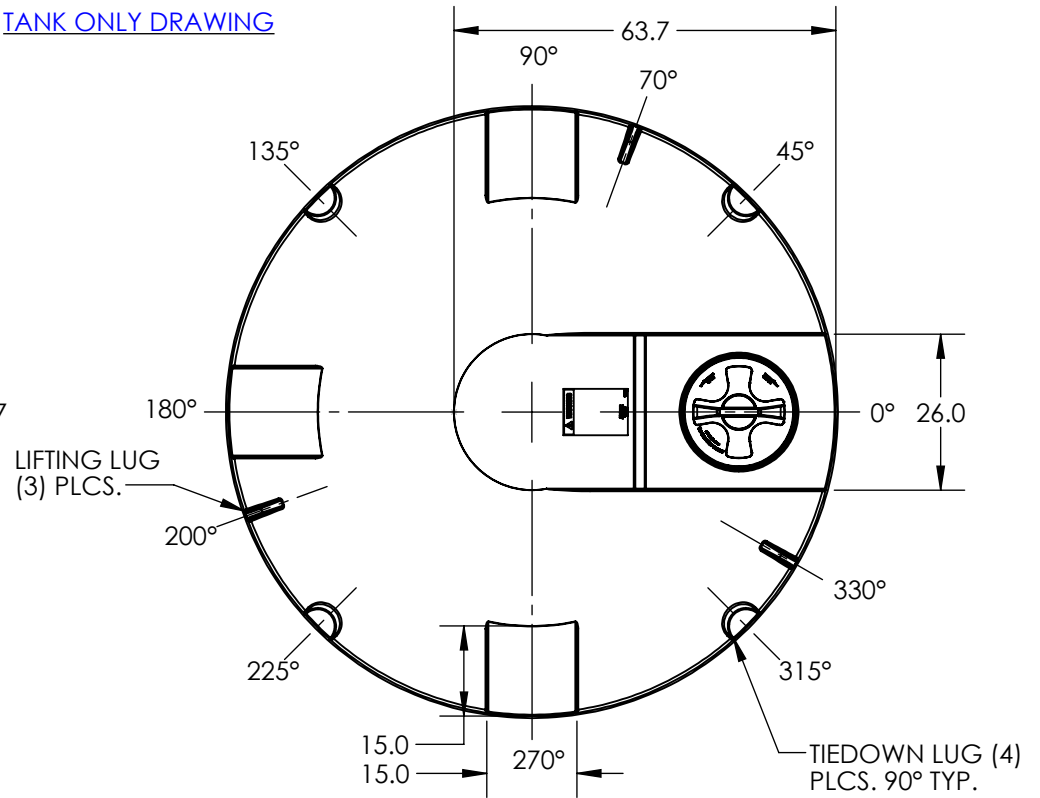


TANK ONLY DRAWING

STAND ONLY DRAWING



\*ALL EXTERNAL PIPING MUST BE INDEPENDENTLY SUPPORTED.  
 \*ONLY BASE FITTINGS TO BE LEFT INSTALLED AT TIME OF SHIPMENT PER SII PROCEDURE.  
 ALL DIMENSIONS ARE IN INCHES, NOMINAL, & SUBJECT TO CHANGE WITHOUT NOTICE.  
 ALL DIMENSIONS ON ROTATIONAL MOLDED PARTS ARE SUBJECT TO A ± 3% TOLERANCE.

DO NOT SCALE		DRAWN BY	<b>SII</b> SNYDER INDUSTRIES, INC.	TITLE:	REVISION
STATUS: <b>Released</b>		IGG		<b>5000 GALLON 15° CONE BOTTOM TANK W/STAND</b>	<b>A</b>
© SNYDER INDUSTRIES, INC., 2019				PART NO.	SHEET
ALL DIMENSIONS, DESIGNS, AND INFORMATION ON THIS PRINT MUST BE CONSIDERED PROPRIETARY TO SNYDER INDUSTRIES, INC. AND MAY NOT BE USED, COPIED, OR DISTRIBUTED WITHOUT WRITTEN PERMISSION OF AN OFFICER (OR HIS AGENT) OF THE FIRM.				8050200C & 62473	1 OF 1
www.snydernet.com (402) 467-5221				ENG. ID.	A014310