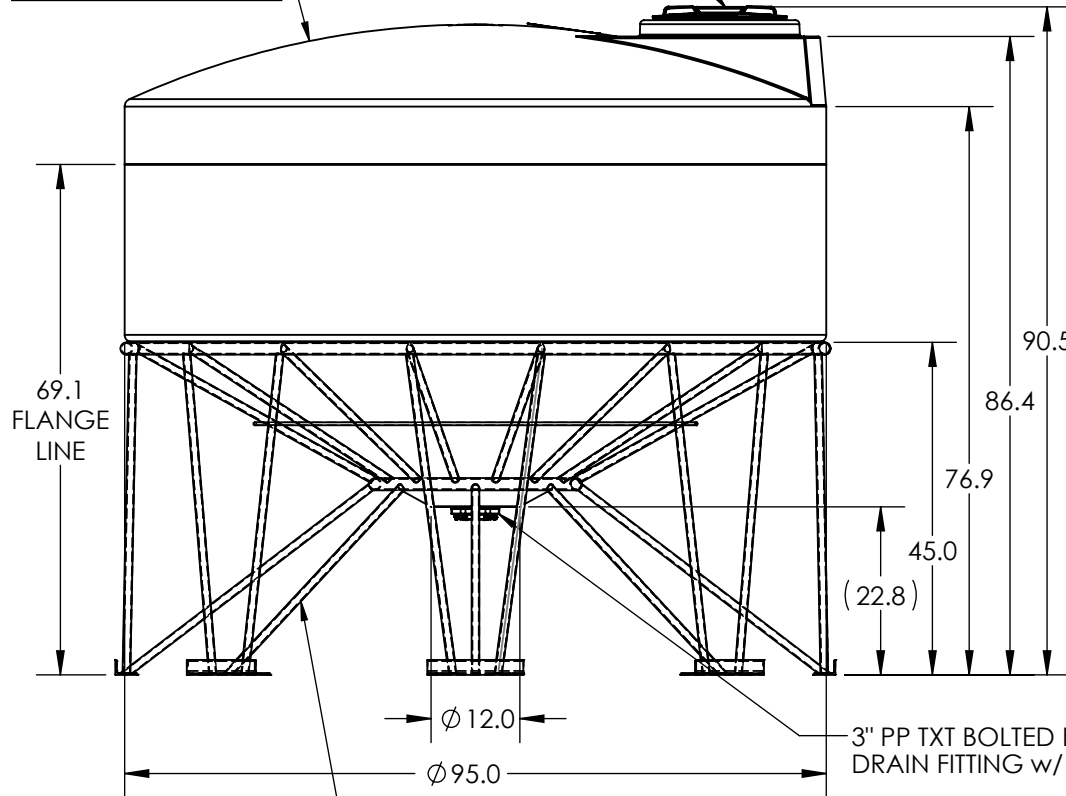
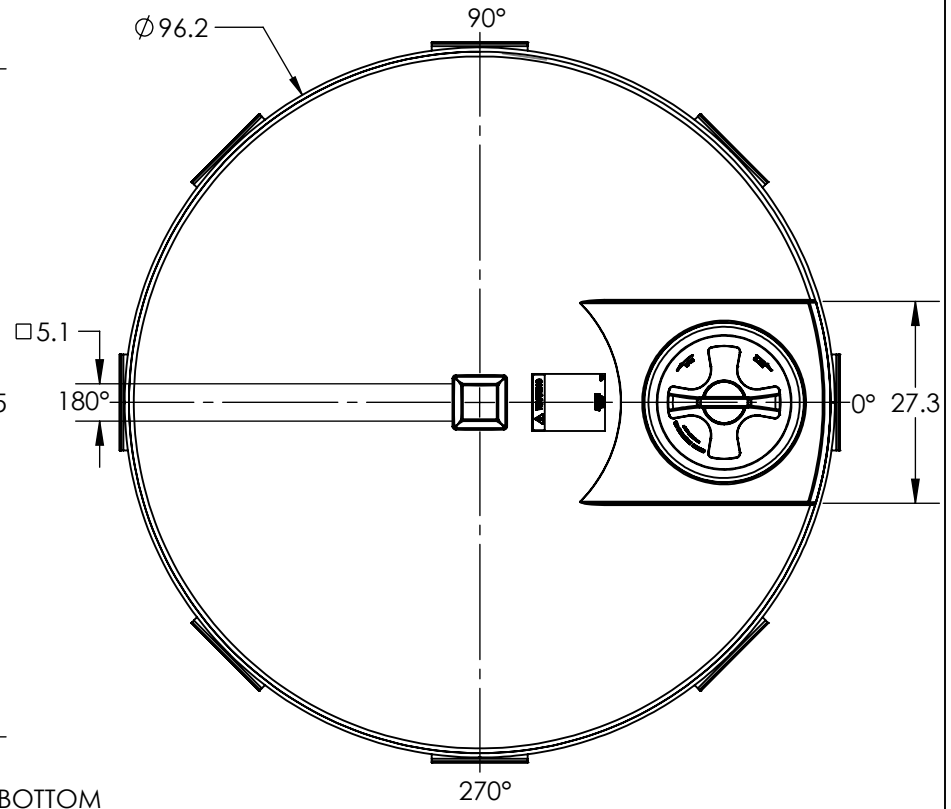


TANK ONLY DRAWING

18" PE THREADED/VENTED
MANWAY w/ 15" ACCESS



STAND ONLY DRAWING



***ALL EXTERNAL PIPING MUST BE INDEPENDENTLY SUPPORTED.**
***ONLY BASE FITTINGS TO BE LEFT INSTALLED AT TIME OF SHIPMENT PER SII PROCEDURE.**
ALL DIMENSIONS ARE IN INCHES, NOMINAL, & SUBJECT TO CHANGE WITHOUT NOTICE.
ALL DIMENSIONS ON ROTATIONAL MOLDED PARTS ARE SUBJECT TO A ± 3% TOLERANCE.

DO NOT SCALE		DRAWN BY		TITLE:	REVISION
STATUS:	Released	KB		1250 GALLON CONE BOTTOM TANK W/ STAND	A
© SNYDER INDUSTRIES, INC., 2018			(402) 467-5221 www.snydernet.com	PART NO.	SHEET
ALL DIMENSIONS, DESIGNS, AND INFORMATION ON THIS PRINT MUST BE CONSIDERED PROPRIETARY TO SNYDER INDUSTRIES, INC. AND MAY NOT BE USED, COPIED, OR DISTRIBUTED WITHOUT WRITTEN PERMISSION OF AN OFFICER (OR HIS AGENT) OF THE FIRM.				8310000C & 78401000	1 OF 1
				ENG. ID.	A008777