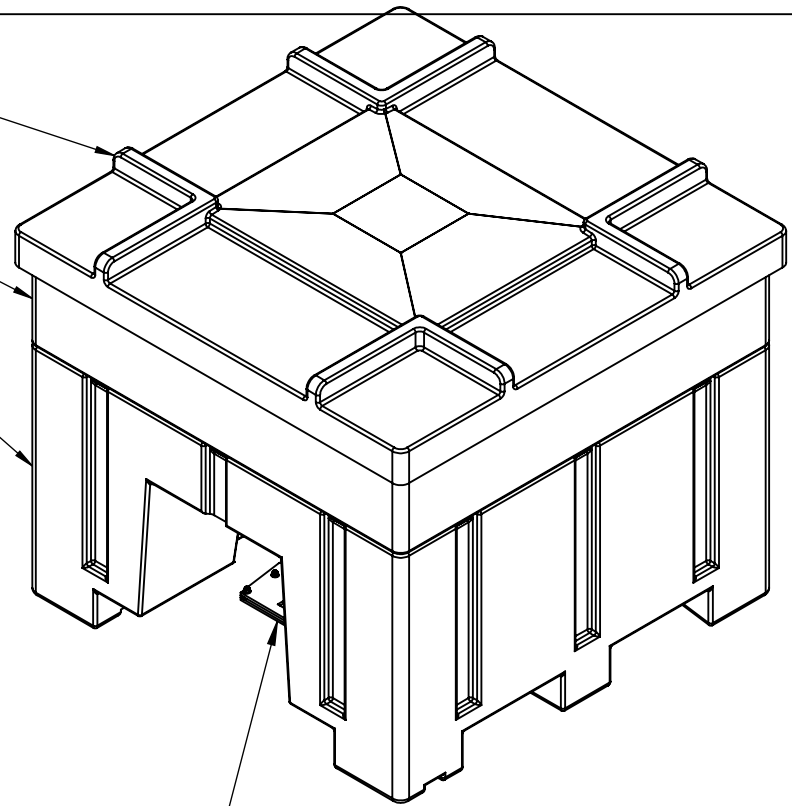


COVER ONLY
DRAWING

BOTTLE ONLY
DRAWING

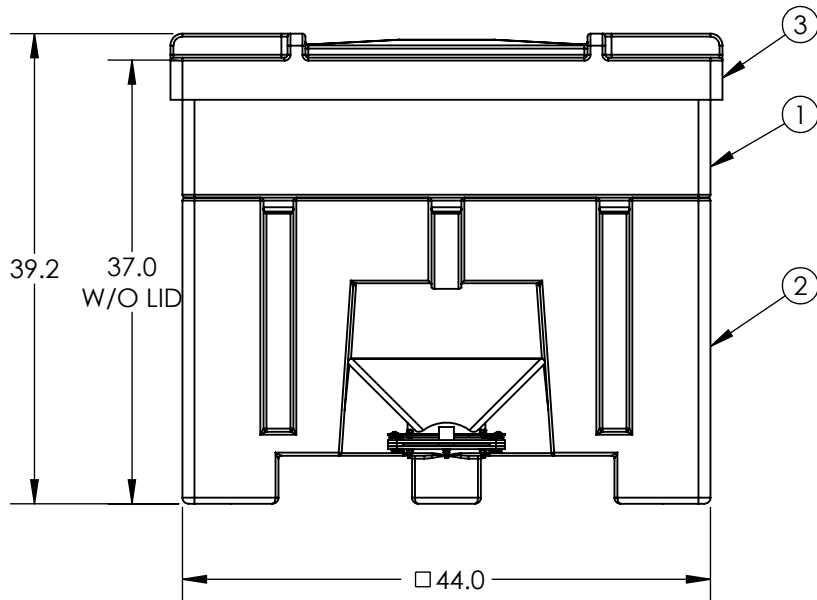
BASE ONLY
DRAWING



OUTLET OPTIONS:

STANDARD SLIDEGATE - [34701851](#)

IRIS VALVE - [34702197](#)



| | | | |
|---|---|--------------|-----------------------------|
| 4 | 1 | 34701851 | ASM SLIDEGATE 8091 20CF HPR |
| 3 | 1 | 6392400M__01 | COVER 8090 HPR |
| 2 | 1 | 6392100M__01 | BASE 8090 HPR |
| 1 | 1 | 6375401M__01 | HPR 20CF 8091 BTM DSCRG OT |

| ITEM NO. | QTY. | PART NUMBER | DESCRIPTION | |
|---|------|--|-----------------------------|--------|
| DO NOT SCALE | | DRAWN BY | REVISION | |
| STATUS: Released | | IGG | ASM 8091 HPR OT SLGT | |
| © SNYDER INDUSTRIES INC., 2016 | | BONAR PLASTICS www.bonarplastics.com | | A |
| ALL DIMENSIONS, DESIGNS, AND INFORMATION ON THIS PRINT MUST BE CONSIDERED PROPRIETARY TO SNYDER INDUSTRIES, INC. AND MAY NOT BE USED, COPIED, OR DISTRIBUTED WITHOUT WRITTEN PERMISSION OF AN OFFICER (OR HIS AGENT) OF THE FIRM. | | 1005 Atlantic Drive West Chicago, IL 60185 (630)293-0303 | | 1 OF 1 |
| | | PART NO. | ENG. ID. | |
| | | 6375401M | A007445 | |

ALL DIMENSIONS ARE IN INCHES, NOMINAL, & SUBJECT TO CHANGE WITHOUT NOTICE.
ALL DIMENSIONS ON ROTATIONAL MOLDED PARTS ARE SUBJECT TO A ± 3% TOLERANCE.