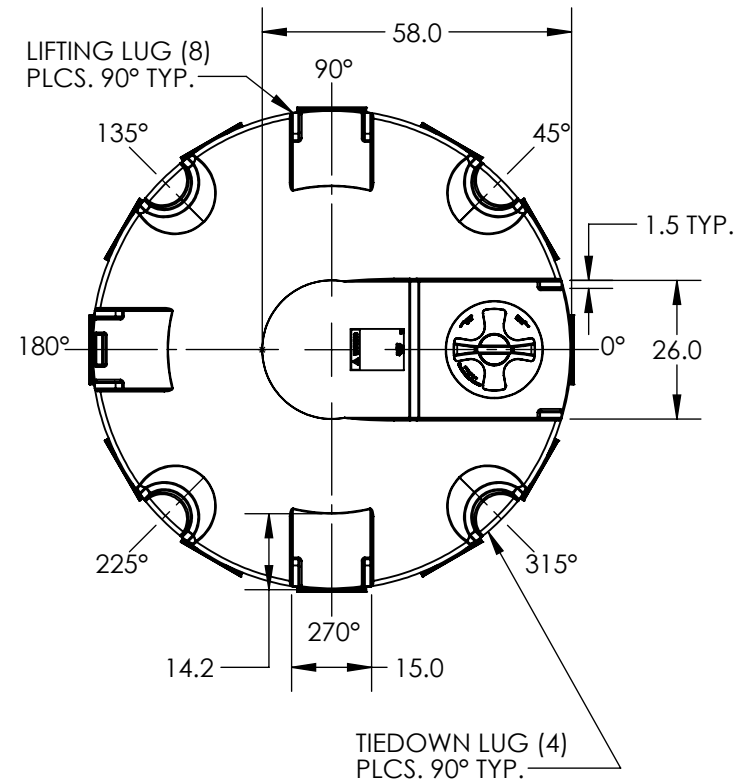


TANK ONLY DRAWING



STAND ONLY DRAWING

**\*ALL EXTERNAL PIPING MUST BE INDEPENDENTLY SUPPORTED.**  
**\*ONLY BASE FITTINGS TO BE LEFT INSTALLED AT TIME OF SHIPMENT PER SII PROCEDURE.**  
**\*Consult Snyder's Guidelines for Use and Installation prior to delivery.**  
 Available on-line at <http://www.snyderindustriestanks.com/Technical>  
**ALL DIMENSIONS ARE IN INCHES, NOMINAL, & SUBJECT TO CHANGE WITHOUT NOTICE.**  
**ALL DIMENSIONS ON ROTATIONAL MOLDED PARTS ARE SUBJECT TO A  $\pm$  3% TOLERANCE.**

DO NOT SCALE		DRAWN BY		TITLE:	REVISION
STATUS: <b>Released</b>		IGG		<b>3900 GALLON 30° CONE          BOTTOM TANK W/ STAND</b>	<b>A</b>
© SNYDER INDUSTRIES, INC., 2018			(402) 467-5221 <a href="http://www.snyderinet.com">www.snyderinet.com</a>	PART NO.	ENG. ID.
<small>ALL DIMENSIONS, DESIGNS, AND INFORMATION ON THIS PRINT MUST BE CONSIDERED PROPRIETARY TO SNYDER INDUSTRIES, INC. AND MAY NOT BE USED, COPIED, OR DISTRIBUTED WITHOUT WRITTEN PERMISSION OF AN OFFICER (OR HIS AGENT) OF THE FIRM.</small>				<b>5440000N &amp;          79300000</b>	<b>A006560</b>
				SHEET	1 OF 1