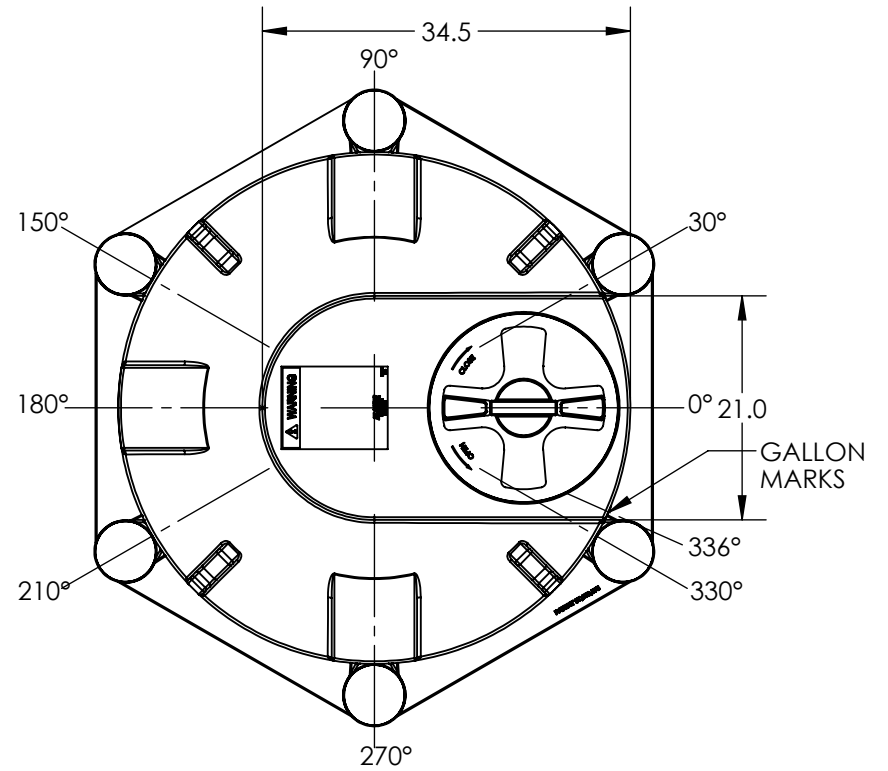
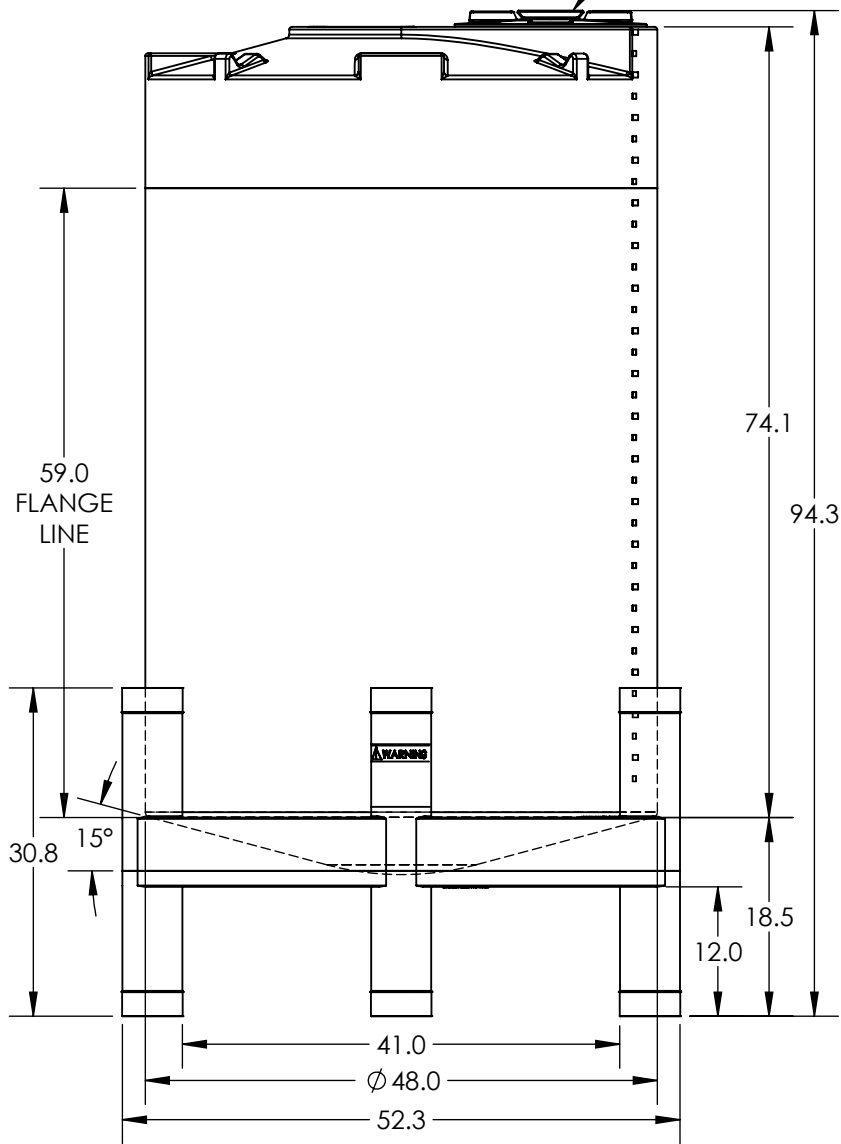


18" PE THREADED/VENTED  
MANWAY w/ 15" ACCESS



**NOTE:**  
TANK MUST BE SOLD WITH A STAND  
\*176000N - 12" STAND  
\*176001N - 18" STAND  
APPLICATIONS FOR THIS TANK CANNOT EXCEED 1.7 SPECIFIC GRAVITY

**TANK ONLY DRAWING**

\*ALL EXTERNAL PIPING MUST BE INDEPENDENTLY SUPPORTED.  
\*ONLY BASE FITTINGS TO BE LEFT INSTALLED AT TIME OF SHIPMENT PER SII PROCEDURE.  
\*Consult Snyder's Guidelines for Use and Installation prior to delivery.  
Available on-line at <http://www.snyderindustriestanks.com/Technical>  
ALL DIMENSIONS ARE IN INCHES, NOMINAL, & SUBJECT TO CHANGE WITHOUT NOTICE.  
ALL DIMENSIONS ON ROTATIONAL MOLDED PARTS ARE SUBJECT TO A ± 3% TOLERANCE.

DO NOT SCALE		DRAWN BY	TITLE:		REVISION
STATUS: <b>Released</b>		IGG	<b>ASM 550G TOTAL DRAIN TANK W/ 12" STAND</b>		<b>A</b>
© SNYDER INDUSTRIES INC., 2015				SHEET 1 OF 1	
<small>ALL DIMENSIONS, DESIGNS, AND INFORMATION ON THIS PRINT MUST BE CONSIDERED PROPRIETARY TO SNYDER INDUSTRIES, INC. AND MAY NOT BE USED, COPIED, OR DISTRIBUTED WITHOUT WRITTEN PERMISSION OF AN OFFICER (OR HIS AGENT) OF THE FIRM.</small>		(402) 467-5221 www.snyderinet.com	PART NO. <b>1800100N &amp; 1760000N</b>	ENG. ID. <b>A005018</b>	