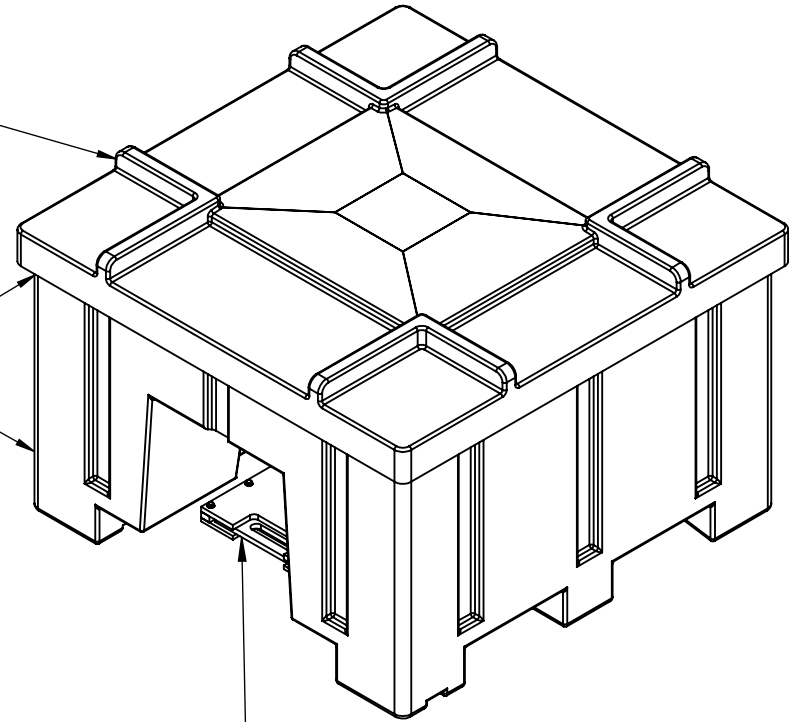


COVER ONLY
DRAWING

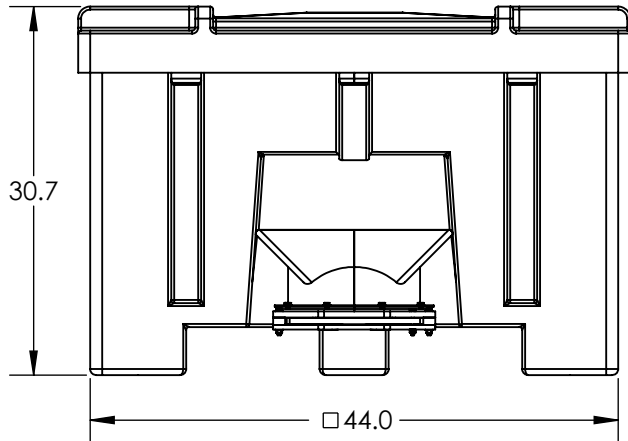
BIN ONLY
DRAWING

BASE ONLY
DRAWING



SLIDE GATE OPTIONS:

STANDARD SLIDE GATE - [34701850](#)
 QUICK SLIDE GATE - [35902614](#)
 SLIDE GATE W/ COLLAR - [34702005](#)



ITEM NO.	QTY.	PART NUMBER	DESCRIPTION
4	1	34701850	ASM SLIDE GATE 10IN 8090STD
3	1	6392400M__01	COVER 8090 HPR
2	1	6392100M__01	BASE 8090 HPR
1	1	6375700M__01	HPR 8045 10CF OT

DO NOT SCALE		DRAWN BY	BONAR PLASTICS		TITLE:	REVISION
STATUS: Released		IGG	www.bonarplastics.com		ASM HPR 8045 OT SLGT	A
© SNYDER INDUSTRIES INC., 2017			1005 Atlantic Drive West Chicago, IL 60185 (630)293-0303		PART NO. 6375700M	ENG. ID. A004635
<small>ALL DIMENSIONS, DESIGNS, AND INFORMATION ON THIS PRINT MUST BE CONSIDERED PROPRIETARY TO SNYDER INDUSTRIES, INC. AND MAY NOT BE USED, COPIED, OR DISTRIBUTED WITHOUT WRITTEN PERMISSION OF AN OFFICER (OR HIS AGENT) OF THE FIRM.</small>						
						SHEET 1 OF 1

ALL DIMENSIONS ARE IN INCHES, NOMINAL, & SUBJECT TO CHANGE WITHOUT NOTICE.
 ALL DIMENSIONS ON ROTATIONAL MOLDED PARTS ARE SUBJECT TO A ± 3% TOLERANCE.