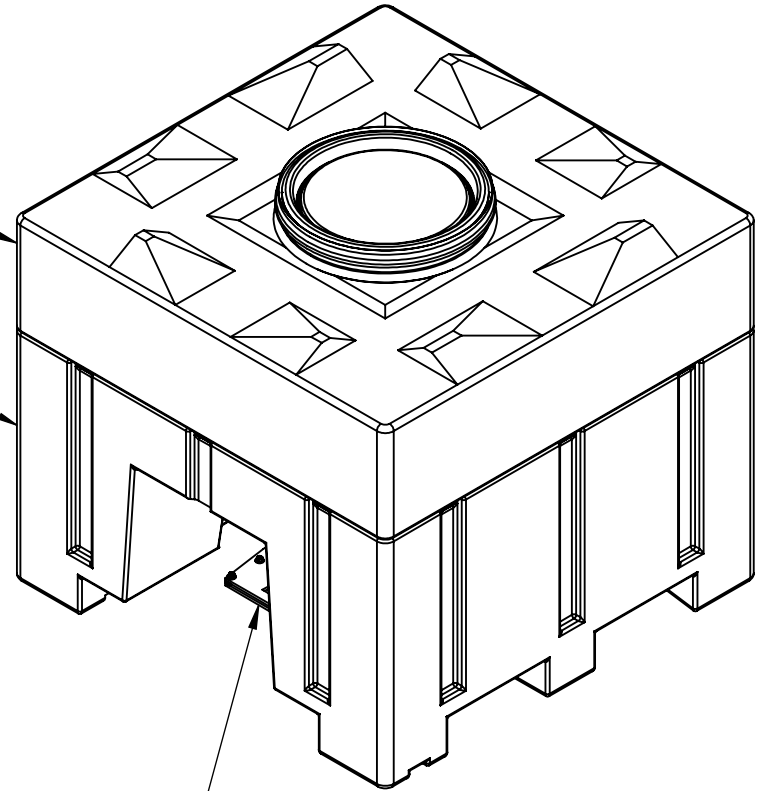


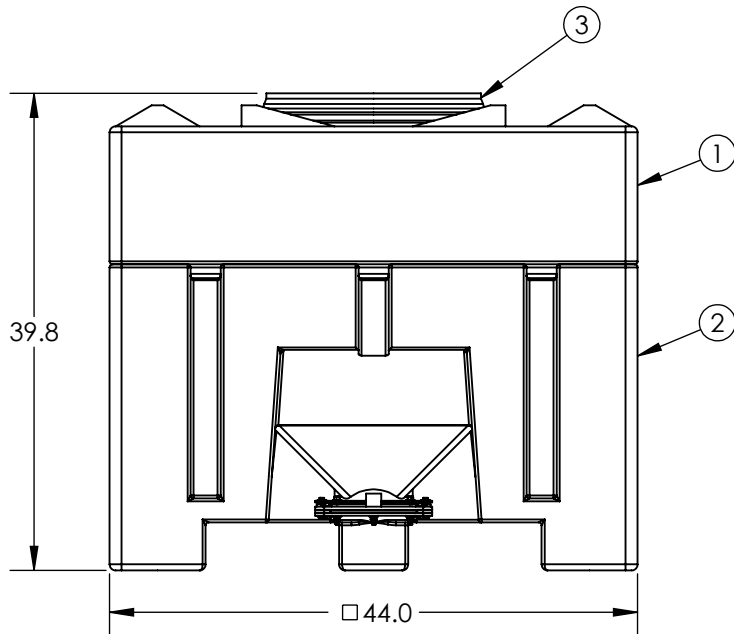
BOTTLE ONLY
DRAWING

BASE ONLY
DRAWING



OUTLET OPTIONS:

STANDARD SLIDEGATE - [34701851](#)
IRIS VALVE - [34702197](#)



4	1	34701851	ASM SLIDE GATE 8091 20CF HPR
3	1	34100411	COVER PP MANHOLE W/GASKET/STRAP
2	1	6392100M__01	BASE 8090 HPR
1	1	6375400M__01	HPR 20CF 8091 BTM DSCRG CT

ITEM NO.	QTY.	PART NUMBER	DESCRIPTION	
DO NOT SCALE		DRAWN BY	REVISION	
STATUS: Released		IGG	A	
© SNYDER INDUSTRIES INC., 2015		BONAR PLASTICS www.bonarplastics.com		TITLE: ASM 8091 HPR CT SLGT
ALL DIMENSIONS, DESIGNS, AND INFORMATION ON THIS PRINT MUST BE CONSIDERED PROPRIETARY TO SNYDER INDUSTRIES, INC. AND MAY NOT BE USED, COPIED, OR DISTRIBUTED WITHOUT WRITTEN PERMISSION OF AN OFFICER (OR HIS AGENT) OF THE FIRM.		1005 Atlantic Drive West Chicago, IL 60185 (630)293-0303		SHEET 1 OF 1
		PART NO.	ENG. ID.	
		6375400M	A004608	

ALL DIMENSIONS ARE IN INCHES, NOMINAL, & SUBJECT TO CHANGE WITHOUT NOTICE.
ALL DIMENSIONS ON ROTATIONAL MOLDED PARTS ARE SUBJECT TO A ± 3% TOLERANCE.