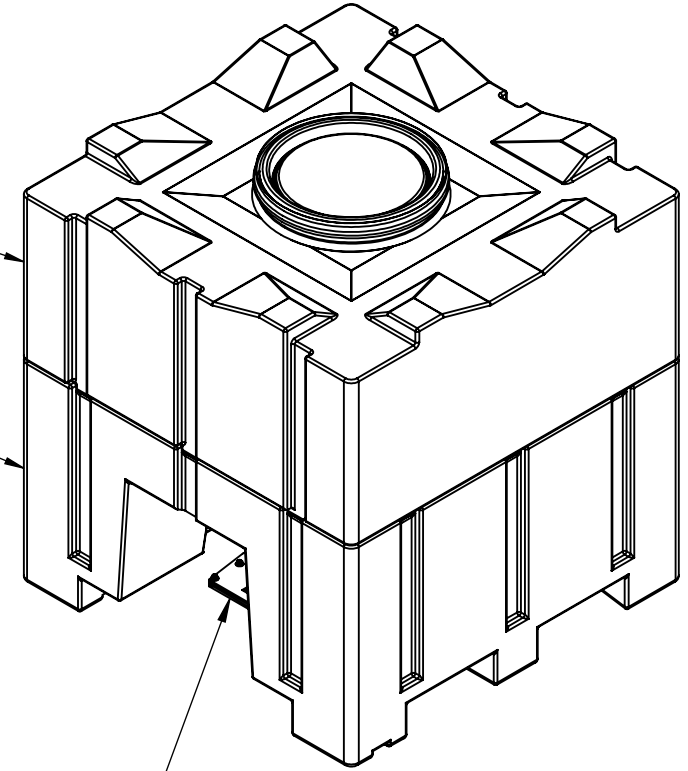
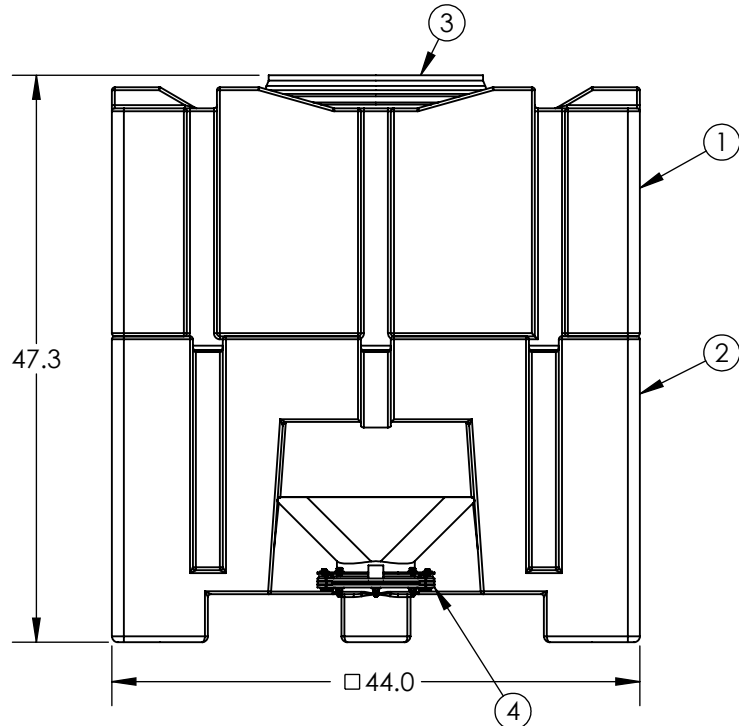


BIN ONLY
DRAWING

BASE ONLY
DRAWING



SLIDEGATE OPTIONS:
STANDARD SLIDEGATE - [34701851](#)



ALL DIMENSIONS ARE IN INCHES, NOMINAL, & SUBJECT TO CHANGE WITHOUT NOTICE.
ALL DIMENSIONS ON ROTATIONAL MOLDED PARTS ARE SUBJECT TO A \pm 3% TOLERANCE.

4	1	34701851	ASM SLIDE GATE 8091 20CF HPR
3	1	34100411	COVER PP MANHOLE W/GASKET/STRAP
2	1	6392100M__01	BASE 8090 HPR
1	1	6376600M__01	HPR 8092 BTM DSCRG CT
ITEM NO.	QTY.	PART NUMBER	DESCRIPTION
DO NOT SCALE		DRAWN BY	REVISION
STATUS: Released		IGG	A
© SNYDER INDUSTRIES INC., 2015		BONAR PLASTICS www.bonarplastics.com	TITLE: ASM 8092 HPR CT SLGT
ALL DIMENSIONS, DESIGNS, AND INFORMATION ON THIS PRINT MUST BE CONSIDERED PROPRIETARY TO SNYDER INDUSTRIES, INC. AND MAY NOT BE USED, COPIED, OR DISTRIBUTED WITHOUT WRITTEN PERMISSION OF AN OFFICER (OR HIS AGENT) OF THE FIRM.		1005 Atlantic Drive West Chicago, IL 60185 (630)293-0303 www.bonarplastics.com	SHEET 1 OF 1
		PART NO. 6376600M	ENG. ID. A004605