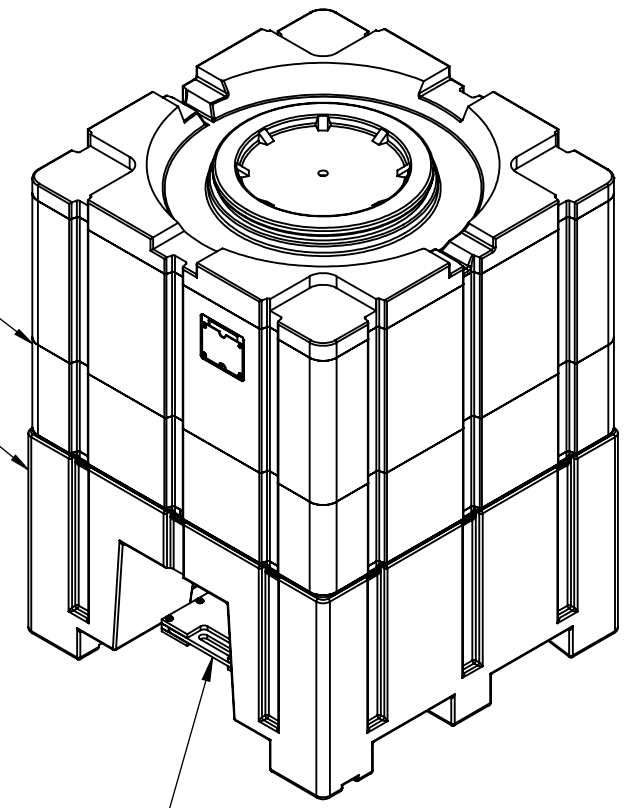


BOTTLE ONLY  
DRAWING

BASE ONLY  
DRAWING



SLIDEGATE OPTIONS:

- STANDARD SLIDEGATE - [34701850](#)
- SLIDEGATE W/ COLLAR - [34702005](#)
- QUICK SLIDEGATE - [35902614](#)

ALL DIMENSIONS ARE IN INCHES, NOMINAL, & SUBJECT TO CHANGE WITHOUT NOTICE.  
ALL DIMENSIONS ON ROTATIONAL MOLDED PARTS ARE SUBJECT TO A ± 3% TOLERANCE.

4	1	34701850	ASM SLIDE GATE 10IN 8090STD
3	1	6392800M__01	COVER 8095 HPR
2	1	6392100M__01	BASE 8090 HPR
1	1	6375601M__01	HPR 8095-46CF BTM DSCRG CT
ITEM NO.	QTY.	PART NUMBER	DESCRIPTION
DO NOT SCALE		DRAWN BY	<b>BONAR PLASTICS</b> <a href="http://WWW.BONARPLASTICS.COM">WWW.BONARPLASTICS.COM</a>
STATUS: <b>Released</b>		IGG	
© SNYDER INDUSTRIES INC., 2015		1005 Atlantic Drive West Chicago, IL 60185 (630)293-0303	
ALL DIMENSIONS, DESIGNS, AND INFORMATION ON THIS PRINT MUST BE CONSIDERED PROPRIETARY TO SNYDER INDUSTRIES, INC. AND MAY NOT BE USED, COPIED, OR DISTRIBUTED WITHOUT WRITTEN PERMISSION OF AN OFFICER (OR HIS AGENT) OF THE FIRM.		<a href="http://WWW.BONARPLASTICS.COM">www.bonarplastics.com</a>	TITLE: <b>ASM HPR 8095-46CF CT 10IN-SLG</b> PART NO. <b>6375601M</b> ENG. ID. <b>A004484</b>
			REVISION <b>A</b> SHEET 1 OF 1