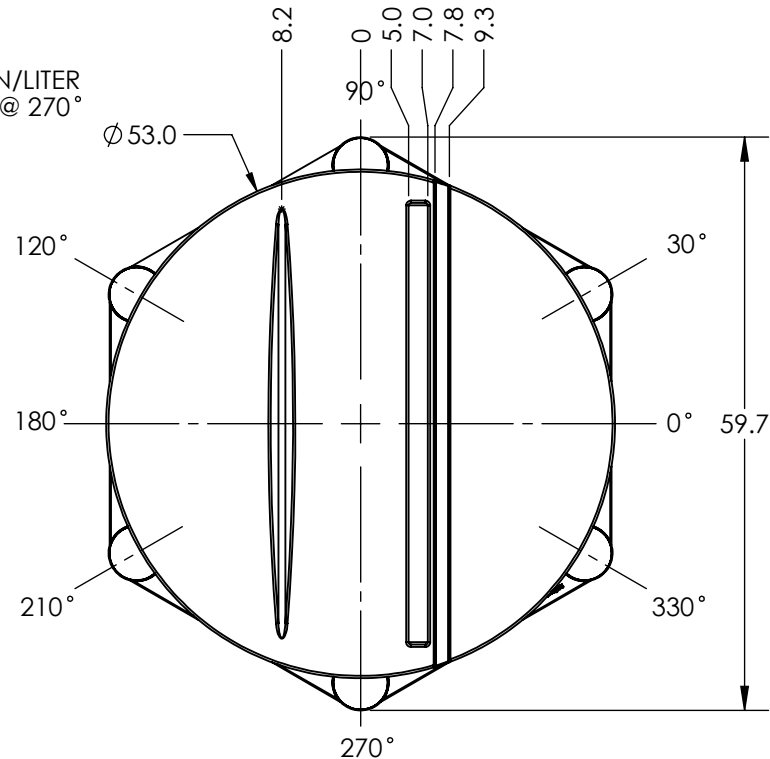


GALLON/LITER MARKS @ 270°



NOTE:
 TANK MUST BE SOLD WITH A STAND.

* **1760000N** - 12" STAND

* **1760001N** - 18" STAND

GALLON MARKS CAN BE REMOVED FOR FITTING PLACEMENT AS NEEDED.

	LID STYLE	TANK P/N	LID DRAWING
STANDARD	TDVOT	5770001N__00	SHOWN
OPTIONAL	TDBLTD	5770001N__98	D002817
OPTIONAL	TDHNGD	5770001N__99	D002830

DO NOT SCALE	DRAWN BY	DATE		TITLE:	REVISION
Released	ET3	09/17/2014		SNYDER INDUSTRIES, INC.	ASM 440G TOTAL DRAIN TANK W/ 12" STAND
© SNYDER INDUSTRIES INC., 2014			4700 Fremont Street Lincoln, NE 68504 (402) 467-5221 www.snydernet.com	PART NO. 5770001N & 1760000N	ENG. ID. A003260

*ALL EXTERNAL PIPING MUST BE INDEPENDENTLY SUPPORTED.
 *ONLY BASE FITTINGS TO BE LEFT INSTALLED AT TIME OF SHIPMENT PER SII PROCEDURE.
 *Consult Snyder's Guidelines for Use and Installation prior to delivery.
 Available on-line at <http://www.snyderindustriestanks.com/Technical>
 ALL DIMENSIONS ARE IN INCHES, NOMINAL, & SUBJECT TO CHANGE WITHOUT NOTICE.
 ALL DIMENSIONS ON ROTATIONAL MOLDED PARTS ARE SUBJECT TO A ± 3% TOLERANCE.