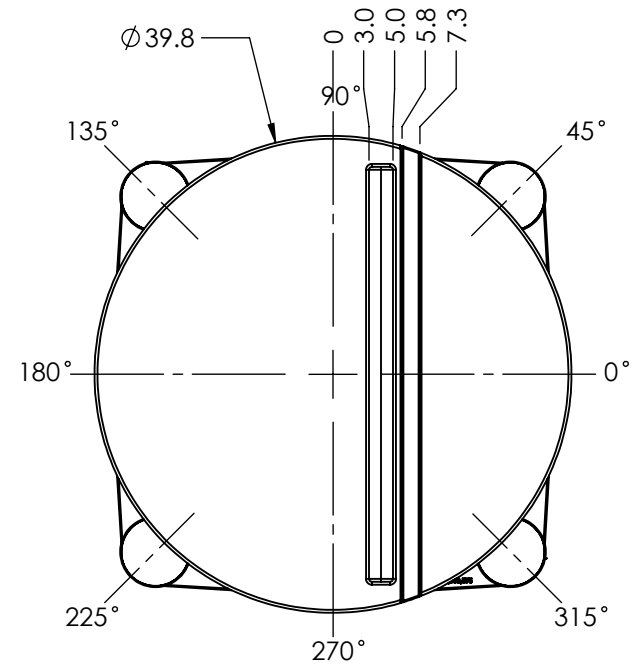


GALLON/LITER MARKS @ 270°



NOTE:
TANK MUST BE SOLD WITH A STAND.

*[1730000N](#) - 12" STAND

*[1730001N](#) - 18" STAND

GALLON MARKS CAN BE REMOVED FOR FITTING PLACEMENT AS NEEDED.

	TANK STYLE	TANK P/N	LID DRAWING
STANDARD	TDVOT	5730001N__00	SHOWN
OPTIONAL	TDBLTD	5730001N__98	D002814
OPTIONAL	TDHNGD	5730001N__99	D002828

*ALL EXTERNAL PIPING MUST BE INDEPENDENTLY SUPPORTED.
 *ONLY BASE FITTINGS TO BE LEFT INSTALLED AT TIME OF SHIPMENT PER SII PROCEDURE.
 *Consult Snyder's Guidelines for Use and Installation prior to delivery.
 Available on-line at <http://www.snyderindustriestanks.com/Technical>
 ALL DIMENSIONS ARE IN INCHES, NOMINAL, & SUBJECT TO CHANGE WITHOUT NOTICE.
 ALL DIMENSIONS ON ROTATIONAL MOLDED PARTS ARE SUBJECT TO A ± 3% TOLERANCE.

DO NOT SCALE		DRAWN BY	TITLE:	REVISION
Released		ET3	ASM 250G TOTAL DRAIN TANK W/ 12" STAND	A
© SNYDER INDUSTRIES, INC., 2018				SHEET
<small>ALL DIMENSIONS, DESIGNS, AND INFORMATION ON THIS PRINT MUST BE CONSIDERED PROPRIETARY TO SNYDER INDUSTRIES, INC. AND MAY NOT BE USED, COPIED, OR DISTRIBUTED WITHOUT WRITTEN PERMISSION OF AN OFFICER (OR HIS AGENT) OF THE FIRM.</small>		(402) 467-5221 www.snyderinet.com	PART NO. 5730001N & 1730000N	ENG. ID. A003256