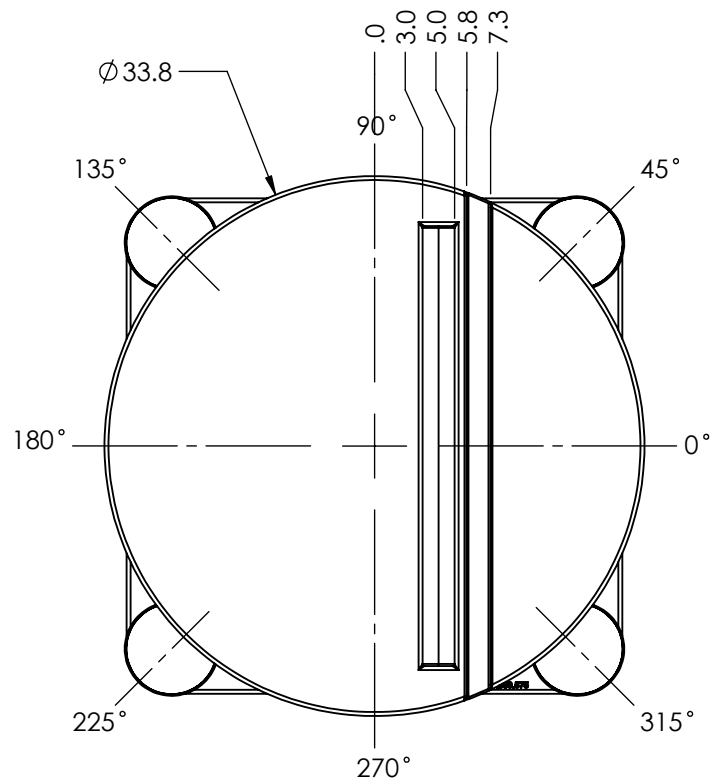


MOLDED IN GALLON/LITER MARKS @ 270°



NOTE:

TANK MUST BE SOLD WITH A STAND.

* 1690000N - 12" STAND

* 1690001N - 18" STAND

GALLON MARKS CAN BE REMOVED FOR FITTING PLACEMENT AS NEEDED.

***ALL EXTERNAL PIPING MUST BE INDEPENDENTLY SUPPORTED.**
***ONLY BASE FITTINGS TO BE LEFT INSTALLED AT TIME OF SHIPMENT PER SII PROCEDURE.**
***Consult Snyder's Guidelines for Use and Installation prior to delivery.**
 Available on-line at <http://www.snyderindustriestanks.com/Technical>
ALL DIMENSIONS ARE IN INCHES, NOMINAL, & SUBJECT TO CHANGE WITHOUT NOTICE.
ALL DIMENSIONS ON ROTATIONAL MOLDED PARTS ARE SUBJECT TO A ± 3% TOLERANCE.

	TANK STYLE	TANK P/N	LID DRAWING
STANDARD	TDVOT	5690001N__00	SHOWN
OPTIONAL	TDBLTD	5690001N__98	D002813
OPTIONAL	TDHNGD	5690001N__99	D002820

DO NOT SCALE	DRAWN BY	DATE		TITLE:	REVISION
Released	ET3	9/16/2014		ASM 90G TOTAL DRAIN TANK W/ 12" STAND	A
© SNYDER INDUSTRIES INC., 2014			4700 Fremont Street Lincoln, NE 68504 (402) 467-5221 www.snyder.net.com	PART NO.	ENG. ID.
<small>ALL DIMENSIONS, DESIGNS, AND INFORMATION ON THIS PRINT MUST BE CONSIDERED PROPRIETARY TO SNYDER INDUSTRIES, INC. AND MAY NOT BE USED, COPIED, OR DISTRIBUTED WITHOUT WRITTEN PERMISSION OF AN OFFICER (OR HIS AGENT) OF THE FIRM.</small>				5690001N & 1690000N	A003252

SHEET 1 OF 1