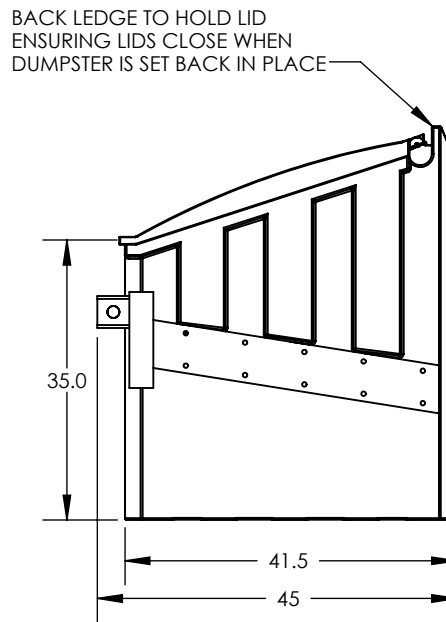
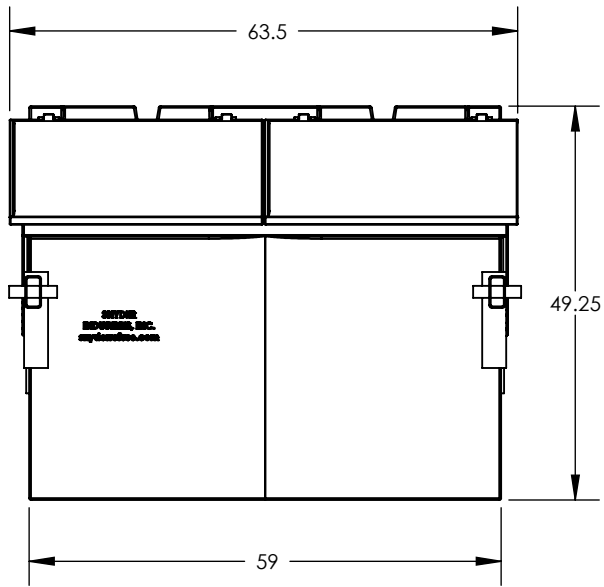
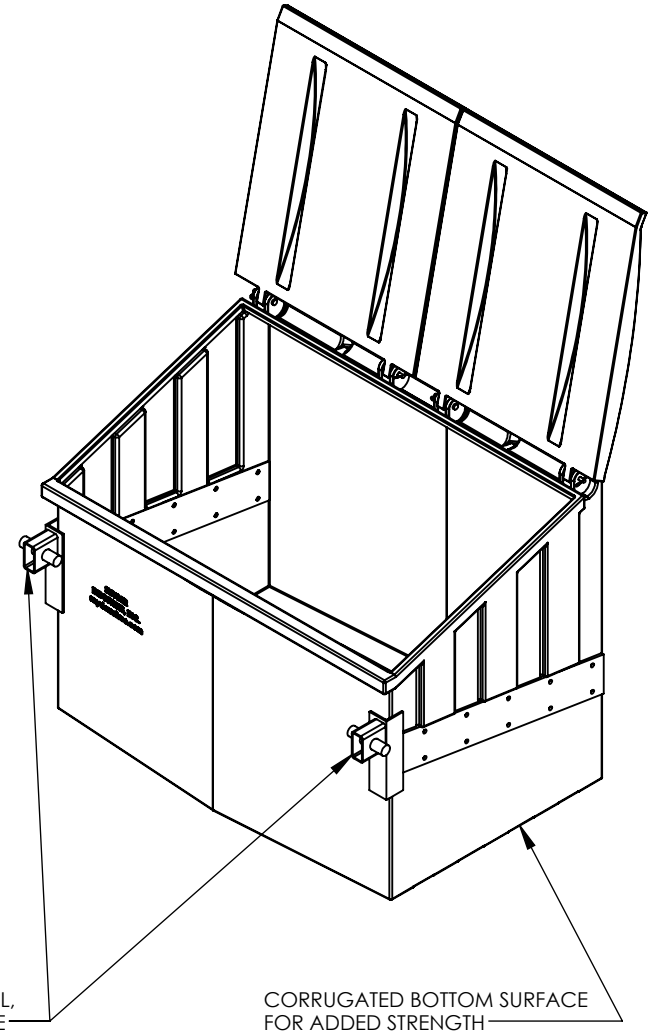


MATERIAL	HDPE
BIN WEIGHT (LBS.)	110
FULL ASSEMBLY WEIGHT (LBS.)	220
WEIGHT CAPACITY (LBS.)	1000
VOLUME (CUBIC FEET)	2
VOLUME (GALLONS)	400
NOMINAL THICKNESS (IN)	0.250
SHIPPING TRUCKLOAD QUANTITY	40
PREDRILLED HOLES	20



BACK LEDGE TO HOLD LID
ENSURING LIDS CLOSE WHEN
DUMPSTER IS SET BACK IN PLACE

PEG STYLE DUMPSTER ARMS
CONSTRUCTED FROM 3/8" THICK STEEL,
BOLTED IN TEN PLACES ON EACH SIDE



ALL DIMENSIONS ARE IN INCHES, NOMINAL, & SUBJECT TO CHANGE WITHOUT NOTICE.
ALL DIMENSIONS ON ROTATIONAL MOLDED PARTS ARE SUBJECT TO A ± 3% TOLERANCE.

DO NOT SCALE		DRAWN BY	SNYDER INDUSTRIES, INC.	TITLE:	POLY SIDE LOAD BIN 2 CY PEG TYPE ARMS	REVISION
STATUS:	Released	TS		ENG. ID.		
© SNYDER INDUSTRIES INC., 2015				PART NO.	7800100E	A
ALL DIMENSIONS, DESIGNS, AND INFORMATION ON THIS PRINT MUST BE CONSIDERED PROPRIETARY TO SNYDER INDUSTRIES, INC. AND MAY NOT BE USED, COPIED, OR DISTRIBUTED WITHOUT WRITTEN PERMISSION OF AN OFFICER (OR HIS AGENT) OF THE FIRM.				ENG. ID.	A003182	SHEET 1 OF 1
www.snydernet.com				(402) 467-5221		