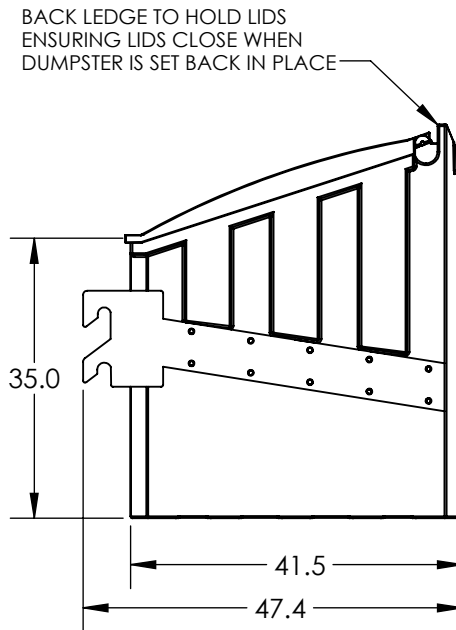
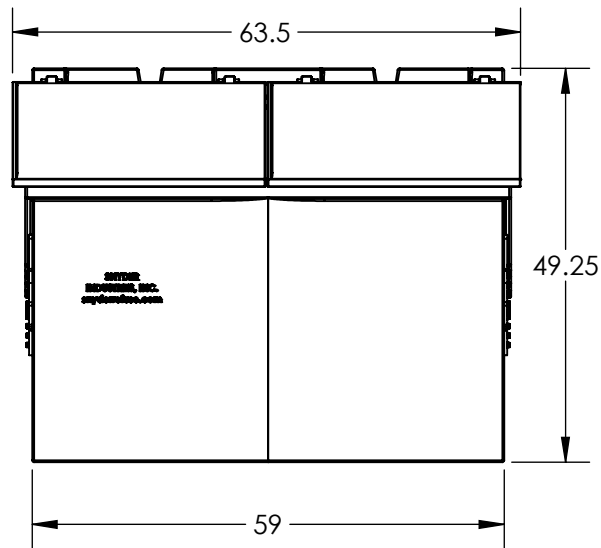
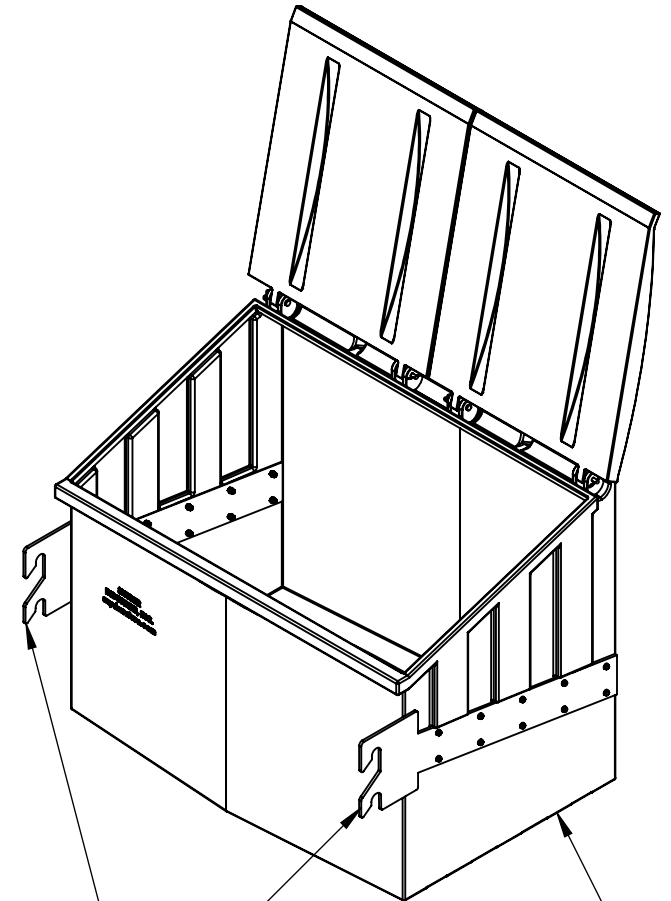


MATERIAL	HDPE
BIN WEIGHT (LBS.)	110
FULL ASSEMBLY WEIGHT (LBS.)	215
WEIGHT CAPACITY (LBS.)	1000
VOLUME (CUBIC FEET)	2
VOLUME (GALLONS)	400
NOMINAL THICKNESS (IN)	0.250
SHIPPING TRUCKLOAD QUANTITY	40
PREDRILLED HOLES	20



BACK LEDGE TO HOLD LIDS
ENSURING LIDS CLOSE WHEN
DUMPSTER IS SET BACK IN PLACE



TEETH STYLE DUMPSTER ARMS
CONSTRUCTED FROM 3/8" STEEL,
BOLTED IN TEN PLACES ON EACH SIDE

CORRUGATED BOTTOM SURFACE
FOR ADDED STRENGTH

ALL DIMENSIONS ARE IN INCHES, NOMINAL, & SUBJECT TO CHANGE WITHOUT NOTICE.
ALL DIMENSIONS ON ROTATIONAL MOLDED PARTS ARE SUBJECT TO A ± 3% TOLERANCE.

DO NOT SCALE		DRAWN BY	TITLE:	REVISION
STATUS: Released		IS	POLY SIDE LOAD BIN 2 CY TEETH TYPE ARMS	A
© SNYDER INDUSTRIES INC., 2015				SHEET 1 OF 1
ALL DIMENSIONS, DESIGNS, AND INFORMATION ON THIS PRINT MUST BE CONSIDERED PROPRIETARY TO SNYDER INDUSTRIES, INC. AND MAY NOT BE USED, COPIED, OR DISTRIBUTED WITHOUT WRITTEN PERMISSION OF AN OFFICER (OR HIS AGENT) OF THE FIRM.		(402) 467-5221 www.snydermfg.com	PART NO. 7800100E	ENG. ID. A002456